



**neptronic®**

# Steam Humidifier

SKE4-E Series

Installation Instructions and User Manual



**READ AND SAVE THESE INSTRUCTIONS**





## Foreword

### Neptronic Company Overview

Founded in 1976, we're a private corporation that designs, manufactures and distributes products for the HVAC industry. Our product line includes intelligent controllers, electronic actuators, actuated valves, humidifiers and electric heaters.

Our products are designed and manufactured by over 250 dedicated employees in our 7,500 m<sup>2</sup> (80,000 ft<sup>2</sup>) state-of-the-art facility located in Montreal, Canada. Using a vertical integration model, our entire manufacturing chain is under one roof, from software and hardware development, to SMT circuit board assembly, to sheet metal fabrication, to product testing, ensuring that our products are engineered to last.

We currently hold several national and international patents and with our continued commitment to research and development, we provide innovative products and technologies for the ever-evolving challenges of the HVAC industry. Exporting over 70% of our sales, we have an exclusive distribution network around the globe that provides comprehensive solutions to our worldwide customers.

### About the Manual

These installation and operation instructions have been developed to facilitate the installation of the Steam Humidifier.

- The strict application of these instructions will ensure the conformity of your installation and operation as per the manufacturer's recommendations.
- The application of these instructions is one of the conditions for the application of the warranty.
- The application of these instructions does not ensure, at any time conformity to procedures, regulation or local codes, regarding electric installation and connection to local water supply.

This product has been declared to conform to applicable European safety and electromagnetic compatibility standards and directives and bear the CE mark. The certificate of conformity CE is available upon request to the manufacturer.

2019©: All rights reserved. This document cannot be reproduced totally or partially by any means whether, electronic, mechanical, photocopy, recording or other, without prior written authorization of Neptronic.

### Electricity



All work concerned with electrical installation **MUST** only be performed by skilled and qualified technical personnel, such as an electrician or a technician with appropriate training. The customer is always responsible for ensuring the suitability of the technical personnel.

Please observe the local regulations concerning the provision of electrical installations.

### Correct Use

Neptronic systems and its products are designed only for humidification use. Any other application is not considered appropriate for the intended purpose. The manufacturer cannot be made liable for any damage resulting from incorrect use.

### General Warranty

This product is subject to the terms and conditions described at <http://www.neptronic.com/Sales-Conditions.aspx>.



## Handling and Lifting



Lifting or handling **MUST** be carried out by trained and qualified personnel. Ensure that the lifting operation has been properly planned, assessed for risk and that the equipment has been checked by a competent Health & Safety representative, and effective control measures are in place.

It is the customer's responsibility to ensure that the operators are trained in handling heavy goods and to enforce the relevant lifting regulations.

The Steam Humidifier **MUST** be handled and lifted with care at all times and remain in its original packaging for as long as possible, prior to installation.

The Steam Humidifier package may be carried using a forklift from the underside. Exercise caution before lifting to ensure that the load is balanced.

## Unpacking

The Steam Humidifier is shipped inside carton boxes or in a wooden crate. Remove packing and skids prior to commissioning.

## Contents

Overview .....	4
List of Accessories Supplied.....	4
Available Options.....	4
Description of Systems.....	4
Visual Overview .....	5
Standard Humidifier Unit .....	7
Dimensions and Weight.....	7
Humidifier with Space Distribution Unit .....	8
Humidifier with Space Distribution Unit - Dimensions and Weight .....	8
Weather Proof Enclosure .....	9
Weather Proof Enclosure - Dimensions and Weight .....	9
Output and Power Consumption - Humidifier.....	10
Mechanical Installation.....	11
General Recommendations.....	11
Location .....	11
Positioning .....	12
Wall Mounting .....	13
Positioning - Humidifier with SDU .....	16
Positioning and Mounting - Weather Proof Enclosure Unit.....	17
General Recommendations .....	17
Steam Dispersion System .....	18
Steam Dispersion System Selection.....	18
Positioning S.A.M. and S.A.M.E2 .....	20
Placement of Steam Pipe in Horizontal Duct.....	21
Placement of Steam Pipe in Vertical Duct.....	22
Steam Output Connections .....	23



# SKE4-E Steam Humidifier

## Installation Instructions and User Manual

Installation.....	23
General Recommendations.....	23
S Trap Installation on the Steam Line.....	24
Position of Steam Outputs.....	25
Remote Installation - Humidifier with SDU .....	26
Wall Mounting the Remote SDU.....	27
Remote SDU Cover Installation (Option).....	28
Plumbing Connections .....	29
Water Supply Connections.....	31
Water Drain Connections .....	32
Weather Proof Enclosure Plumbing Connection.....	33
Electrical Connections.....	34
Power Supply Hole Locations .....	35
Low Voltage Control Connections .....	36
Printed Circuit Board.....	36
Safety Contact Connections .....	37
Dry Contacts .....	37
ON/OFF Humidifier .....	38
Modulating Humidifier .....	39
Network Communication.....	42
Controls Placement (Steam Dispersed into a Duct or AHU).....	43
Controller Configuration .....	44
Control Panel Features.....	44
Idle Screen .....	45
Menu Access .....	45
Menu Navigation and Configuration .....	46
Menu - General .....	47
Menu - User Settings .....	50
Menu - Service.....	51
Menu - Installation.....	52
Menu - Integration.....	55
List of Alarms .....	58
Start-up Procedure.....	60
Initial Verification .....	60
Start-Up .....	61
Service .....	62
Cleaning the Evaporation Chamber .....	62
Troubleshooting .....	67
Exploded View and Bill of Material.....	68
Exploded View.....	68
Bill of Material .....	70



## Overview

---

### List of Accessories Supplied

The following accessories are supplied with the SKE4 Steam Humidifier:

- 2 sets of keys.
- 2 adjustable collars per steam outlet for the connection of the steam hose.
- 1 hydraulic female compression fitting DN20 for the drain output of the evaporation chamber.
- 1 hydraulic female elbow fitting DN15 for the drain output of the drip pan.
- 2 brackets and screws for wall mounting the humidifier (models SKE4-E05 to E80 only).
- 1 Installation Instructions and User Manual.

### Available Options

The following options are available when purchasing a SKE4 humidifier:

- Modulating control humidifier (Suffix M, i.e. SKE4-E20M)
- Humidifier for a system supplied with Deionized water or Reverse Osmosis water, having more than 0.1 ppm of dissolved solids
- Space Distribution Unit mounted on humidifier (SDU) or remotely installed (SDU-REM)
- Weather proof enclosure
- BACnet Network Communication System
- Ethernet (IP) option
- Stainless steel humidifier cabinet

### Description of Systems

<b>System</b>	<b>Description</b>
<i>Evaporation Chamber</i>	Removable metallic container in which steam is produced. It is the most important part of the humidifier.
<i>Space Distribution Unit (SDU)</i>	Integrated steam distribution unit to humidify air when there is no duct system. Optional feature available for certain humidifier models.
<i>Multi-Steam System</i>	Custom made system for steam distribution. This system is designed for applications where absorption distances are very short (less than 900 mm).
<i>Steam Absorption Manifold (S.A.M.)</i>	Steam manifold adapted to air duct size. Allows steam absorption for relatively short distance applications (less than 1500 mm).
<i>Steam Absorption Manifold with 2 Eyelets (S.A.M.E2)</i>	Steam manifold with two eyelets, adapted for applications with restricted air duct dimensions. Allows steam absorption for relatively short distance applications (less than 1500 mm).



## Visual Overview

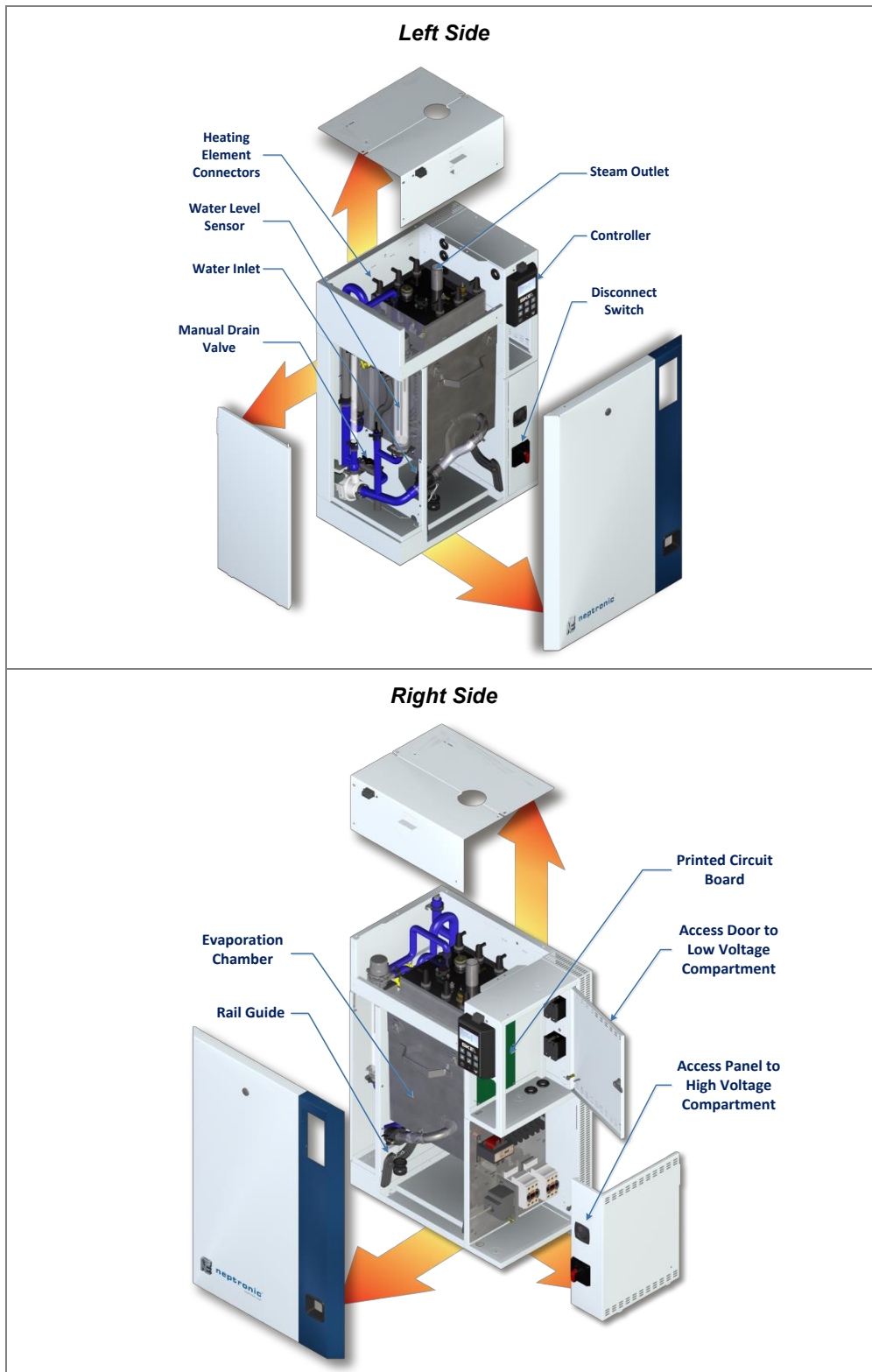


Illustration 1 - Overview of the Humidifier (SKE4-E05 to E80)

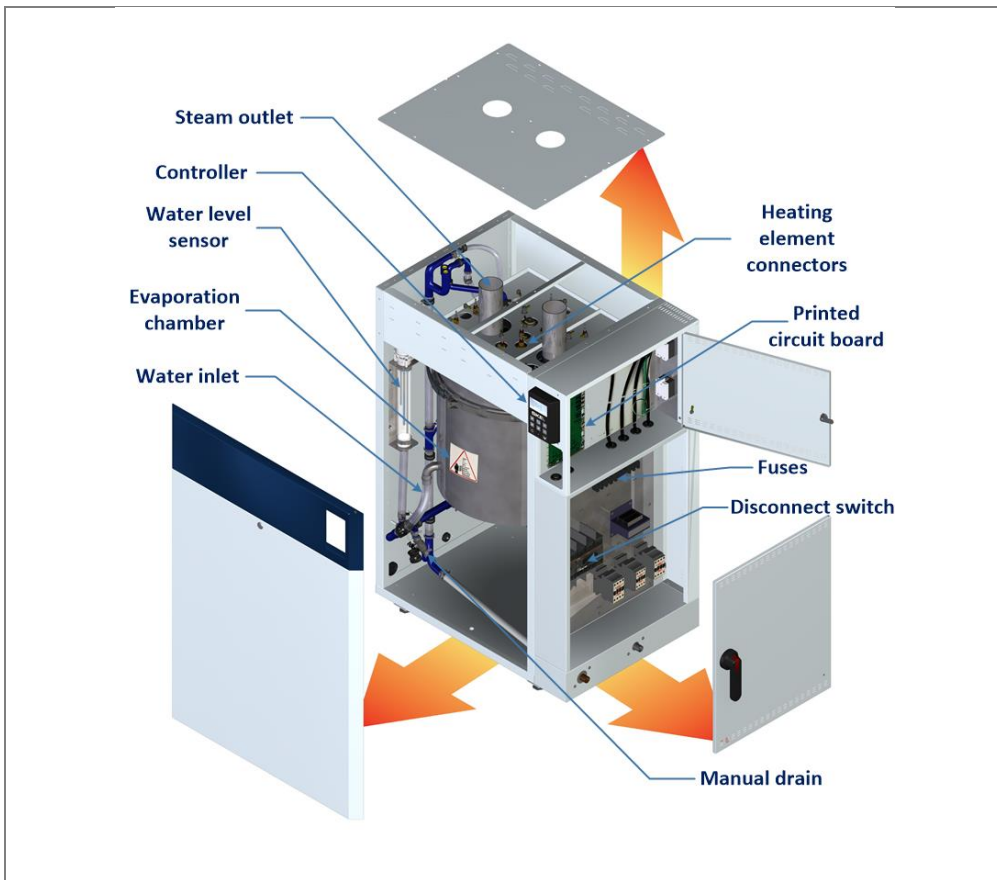


Illustration 2 - Overview of the Humidifier (SKE4-E90 to E120)



## Standard Humidifier Unit

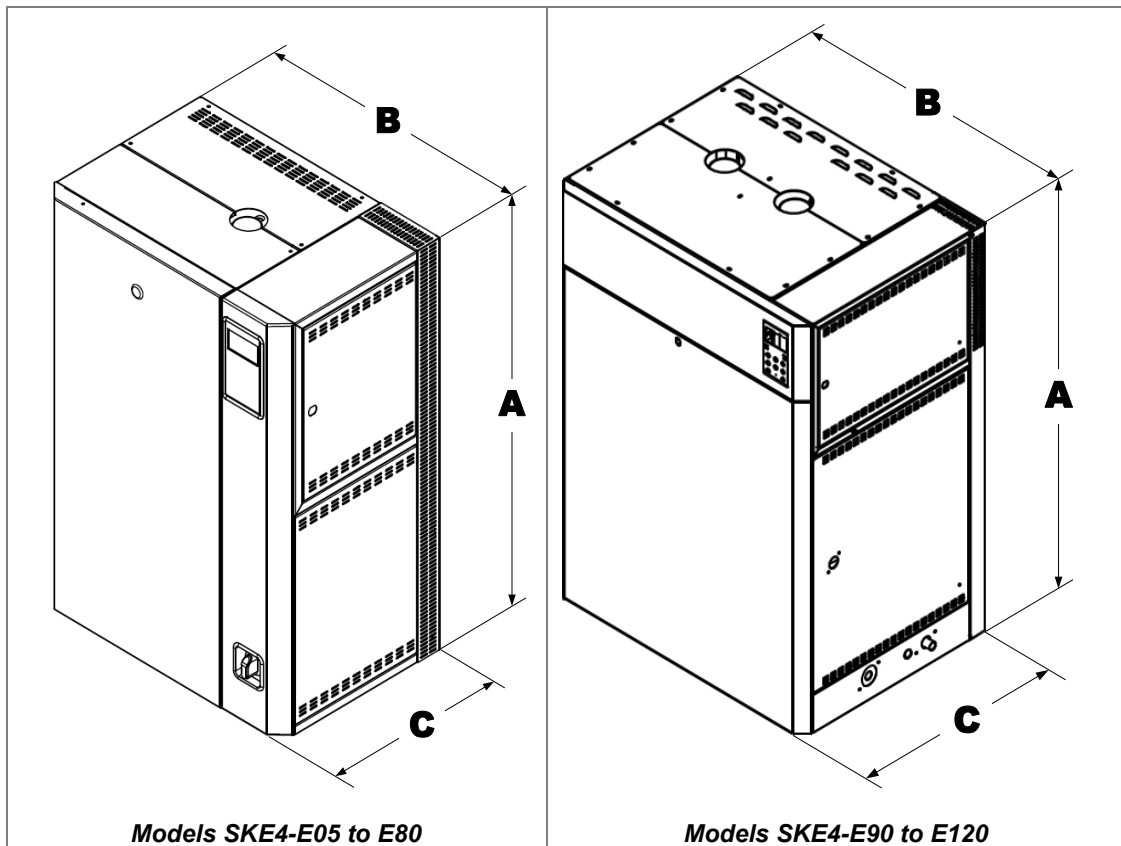


Illustration 3 - SKE4 Steam Humidifier

## Dimensions and Weight

Table 1 - Dimensions and Weight

Model	Dimensions of the Cabinet (mm)			Weight (kg)	
	A	B	C	Empty	Full
SKE4-E05	584	492	349	32	39
SKE4-E10 SKE4-E20 SKE4-E30 SKE4-E40	813	565	384	49	69
SKE4-E50 SKE4-E60 SKE4-E80	813	845	384	65	106
SKE4-E90 SKE4-E100 SKE4-E110 SKE4-E120	1219	838	619	145	200





## Humidifier with Space Distribution Unit

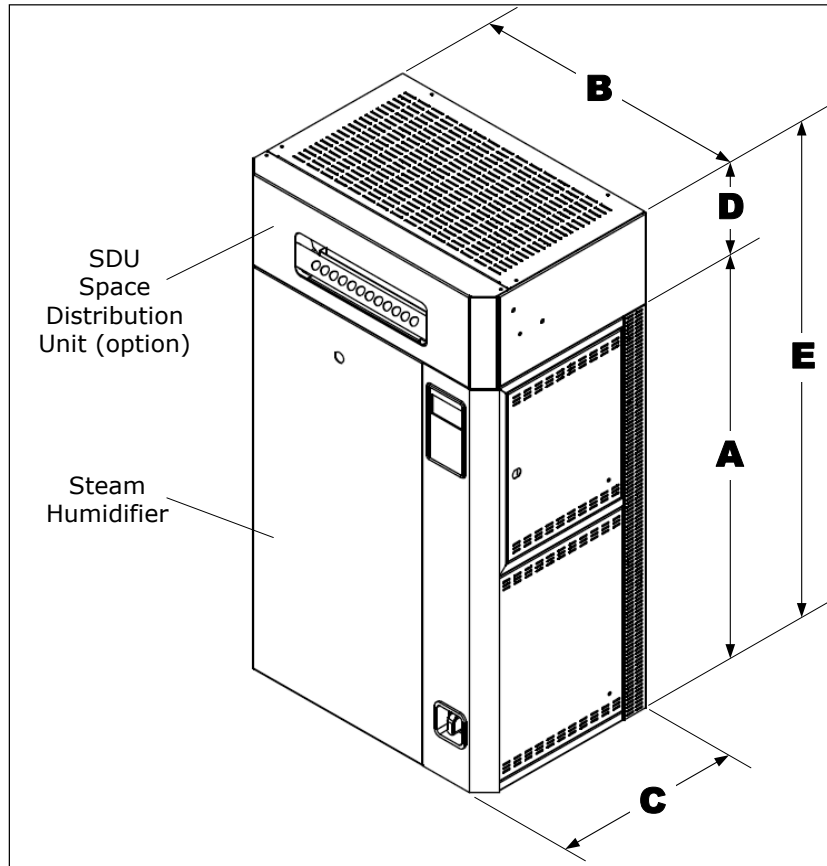


Illustration 4 - Steam Humidifier with Space Distribution Unit

### Humidifier with Space Distribution Unit - Dimensions and Weight

Table 2 - Dimensions and Weight of SDU

Model	Dimensions of the Cabinet (mm)					Weight (kg)		SDU Weight (kg)
	A	B	C	D	E	Empty	Full	
SKE4-E05	584	492	349	171	755	39	45	SDU4-1 7
SKE4-E10	813	565	384	197	1010	58	78	SDU4-2 9
SKE4-E20 SKE4-E30 SKE4-E40	813	565	384	289	1102	62	83	SDU4-3 14



## Weather Proof Enclosure

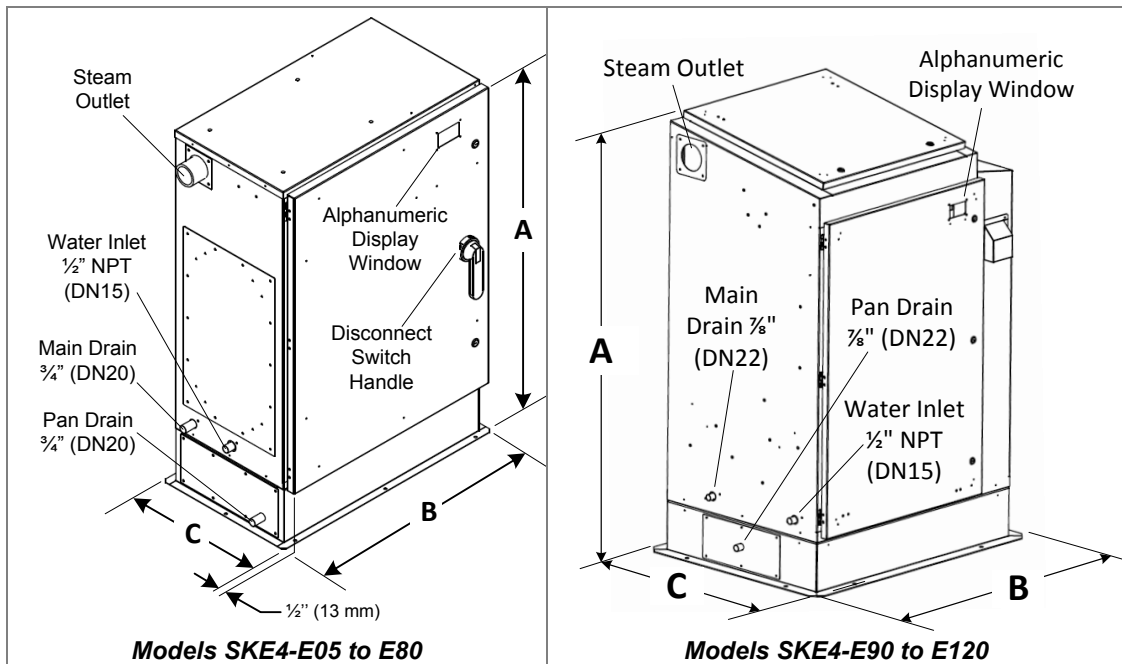


Illustration 5 - Weather Proof Enclosure

## Weather Proof Enclosure - Dimensions and Weight

Table 3 - Weather Proof Enclosure: Dimensions and Weight

Model	Dimensions of the Cabinet (mm)			Weight (kg)		Steam Outlet Diameter (mm)
	A	B	C	Empty	Full	
SKE4-E05	854	651	410	45	52	35
SKE4-E10	1102	753	438	59	80	35
SKE4-E20 SKE4-E30 SKE4-E40	1102	753	438	59	80	51
SKE4-E50 SKE4-E60 SKE4-E80	1114	1032	438	89	129	76
SKE4-E90 SKE4-E100	1524	965	727	184	240	76
SKE4-E110 SKE4-E120	1524	965	727	184	240	100



## Output and Power Consumption - Humidifier

Table 4 - Output and Power Consumption

Model	Steam Capacity (kg/hr)	Power (kW)	Consumption		Steam Output	
			Amperage (A)		Qty	Diameter (mm)
			230/1	400/3		
SKE4-E05	5	3.7	16	5.5	1	35
SKE4-E10	10	7.5	33	11	1	35
SKE4-E20	20	15	-	22	1	51
SKE4-E30	30	22	-	33	1	51
SKE4-E40	40	30	-	44	1	51
SKE4-E50	50	36	-	53	1	76
SKE4-E60	60	44	-	64	1	76
SKE4-E80	80	60	-	87	1	76
SKE4-E90	90	66	-	96	1	76
SKE4-E100	100	74	-	107	1	76
SKE4-E110	110	82	-	119	2	76
SKE4-E120	120	90	-	130	2	76



**WARNING: For Modulating Humidifier, maintain the maximum power of the electrical installations according to the information in Table 4 - Output and Power Consumption.**

**Do not consider a possible reduction of steam output due to modulation.**



## Mechanical Installation

---

### General Recommendations



**WARNING: Risk of electric shock. Disconnect the appliance from electric supply before commencing installation.**



*Note: Mechanical installation must conform to local codes and regulations.*

### Location



**WARNING: The SKE4 series is designed for indoor installation only.**

**For outdoor installation, the SKE4 must be installed using a Neptronic weather proof enclosure (see Positioning and Mounting - Weather Proof Enclosure Unit on page 17).**

**Failure to follow these guidelines will void the warranty.**

Consider the following points before deciding the location for the SKE4 Steam Humidifier:

- Plan a location that is easy to access and permits an easy inspection and servicing of the humidifier.
- Do not install the humidifier where failure of the appliance could cause damage to the building structure or to other expensive equipment.
- Ensure that the location is well ventilated and that the ambient temperature is less than 30°C.
- Consider the total steam line length between the humidifier and the steam distributor based on the steam line material type:
  - For flexible steam hose, total steam line must not exceed 5 meters. For longer distances, use insulated hard piping.
  - For insulated hard piping, the total steam line is determined by the humidifier capacity: 0.67 m for each kg/hr capacity of the humidifier, with a maximum of 15 m. For longer steam line runs, consult factory.



## Positioning

- Ensure that the front panel, the left side (plumbing compartment) and the right side (electrical compartment) are accessible in order to permit servicing.
- Leave a clearance of at least 1.2 m to the front panel and 0.3 m on the left and right sides of the humidifier.
- Leave a clearance of at least 0.5 m on top of the humidifier.

### For models SKE4-E05 to E80:

- Mount the humidifier at a minimum height of 0.6 m above floor level.
- Leave a clearance of at least 0.25 m under the humidifier for installation of water supply, drain piping and electrical connections.

### For models SKE4-E90 to E120:

- These models are designed to be installed directly on the floor. Adjustable legs are provided in order to ensure proper level.
- Provide a level, solid foundation and ensure that the floor beneath the humidifier is water proof to withstand any water spillage during servicing or in the event of a problem.

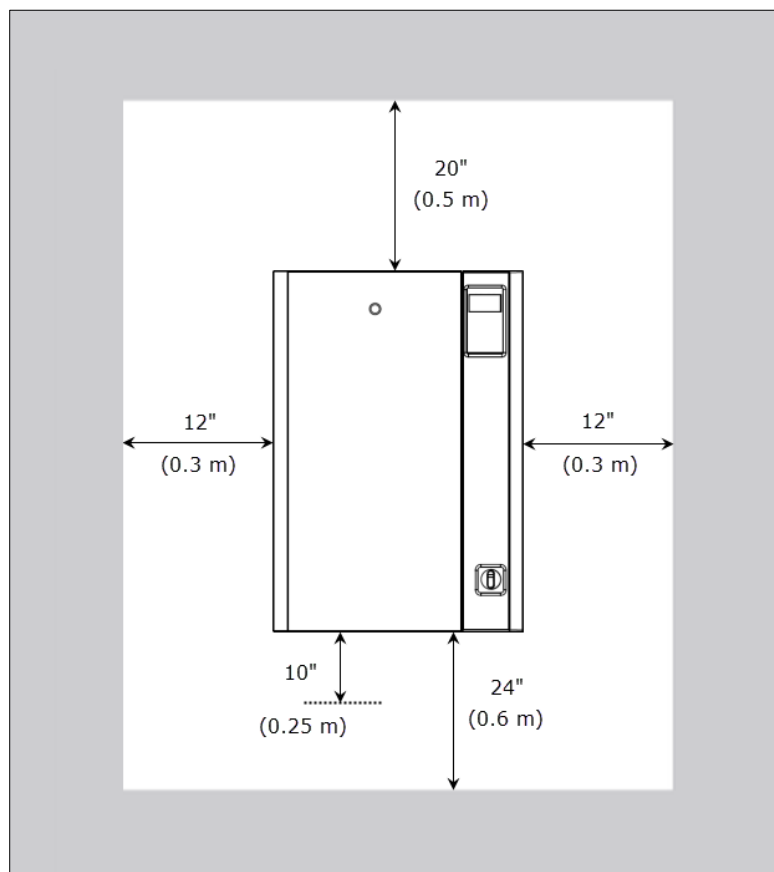


Illustration 6 - Positioning the Humidifier



### Wall Mounting



**CAUTION: Risk of malfunction. The humidifier must be placed at an equal level.**  
**CAUTION: Risk of overheating. Do not block the ventilation openings located on the cabinet.**

Before proceeding, check the strength of the chosen support or wall (brick, concrete, stud partition wall) on which the humidifier will be mounted. See the Dimensions and Weight section (page 7) to know the weight of the unit.

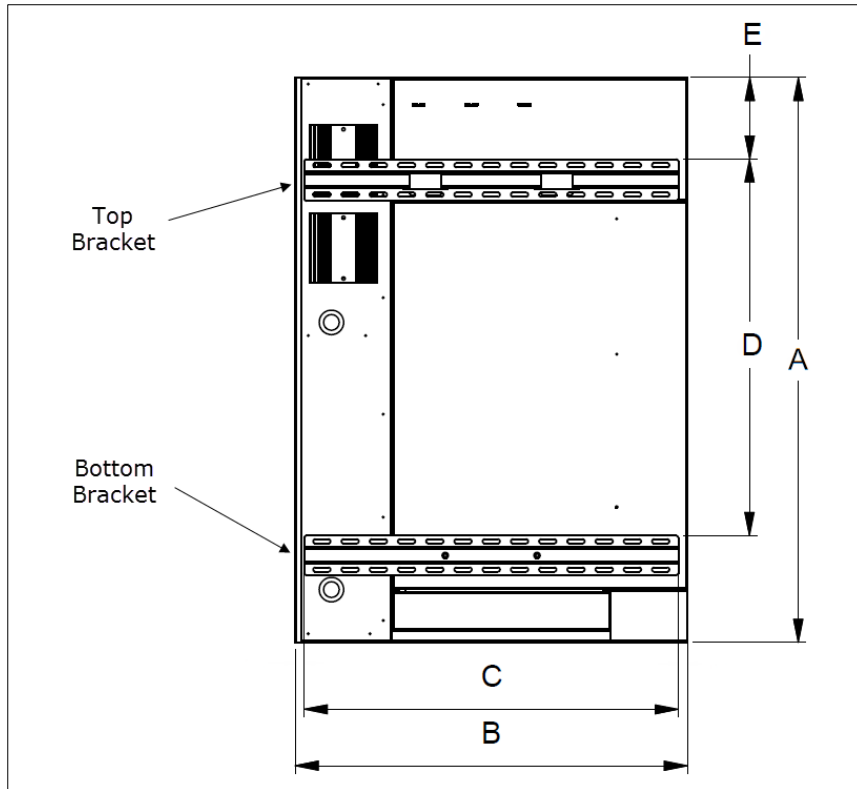


Illustration 7 - Mounting Bracket Positioning

Table 5 - Positioning Lines of Mounting Brackets

Model	Dimensions (mm)				
	A	B	C	D	E
SKE4-E05	584	492	467	467	22
SKE4-E10 SKE4-E20 SKE4-E30 SKE4-E40	813	565	540	540	22
SKE4-E50 SKE4-E60 SKE4-E80	813	845	718	540	22



*Note: Models SKE4-E90 to E120 cannot be wall mounted and must be properly secured to the ground using the adjustable legs.*



To wall mount the humidifier, perform the following steps:

1. Place the top bracket (supplied) on the support or wall as per the dimensions specified in Table 5 - Positioning Lines of Mounting Brackets.
2. Drill 4 screws (not supplied) into the slotted holes of the top bracket, to secure the bracket to the support or wall.
3. Place the bottom bracket (supplied) on the support or wall as per the dimensions specified in Table 5 - Positioning Lines of Mounting Brackets.
4. Drill 4 screws (not supplied) into the slotted holes of the bottom bracket, to secure the bracket to the support or wall.

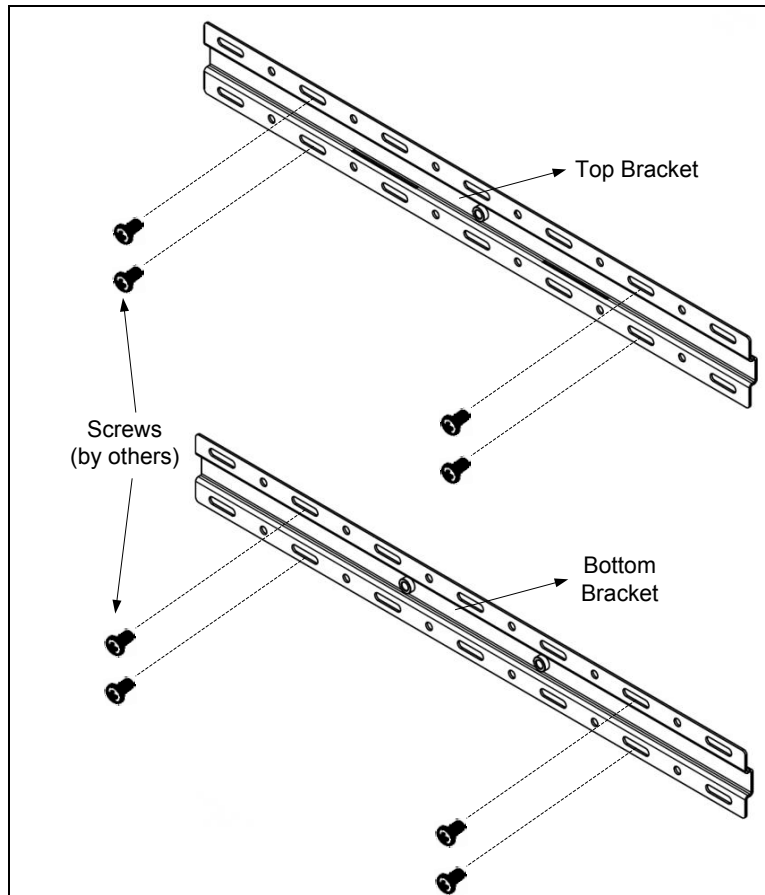


Illustration 8 - Mounting Bracket Attachment



5. Secure the humidifier to the top bracket, by placing the back inserts into the open slots located on the edge of the center of the top bracket.

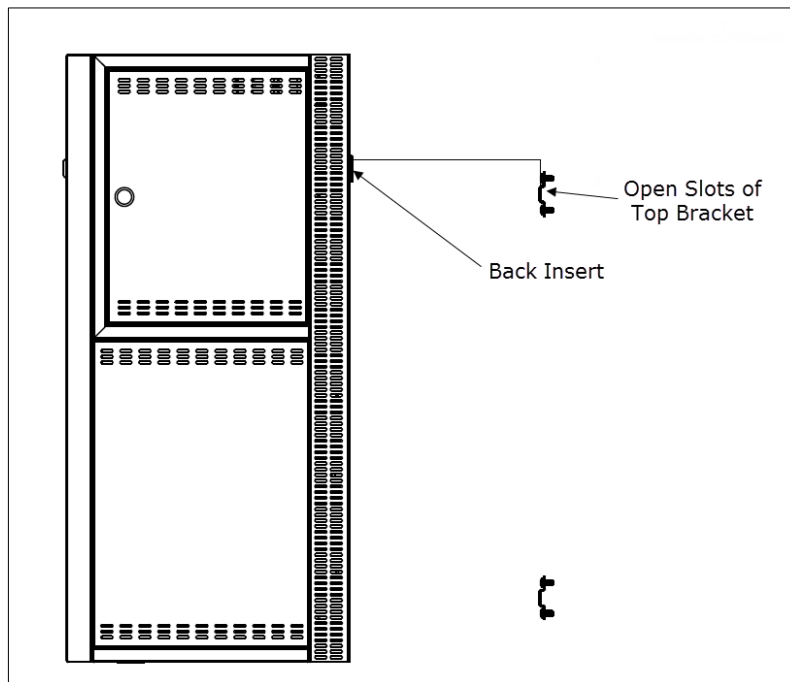


Illustration 9 - Top Mounting Bracket Connection

6. Open the front door of the humidifier to gain access to the slotted holes located in the back of the cabinet. Verify that the holes are aligned with the ones located in the center of the bottom bracket.
7. From inside the humidifier, drill 2 (**models SKE4-E05 to E40**) or 4 (**models SKE4-E50 to E80**) screws (supplied) into the center of the bottom bracket, in order to secure the humidifier to the support or wall.

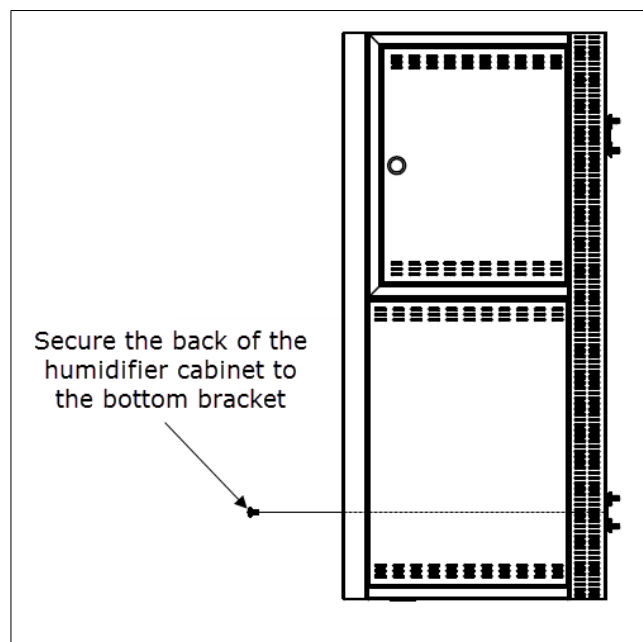


Illustration 10 - Bottom Mounting Bracket Connection





## Positioning - Humidifier with SDU

- The SDU must be installed in an environment where the air is relatively clean. This will prevent the blower from getting clogged with dust.
- The humidifier must be mounted such that the SDU fan section is at least 2 m above the floor.
- Allocate a minimum clearance of 0.45 m from the ceiling to avoid ceiling and wall condensation.
- If additional ventilation is not present, ensure that the fan has a clearance of at least 1.35 m from the ceiling. Proper ventilation must be observed to avoid ceiling and wall condensation.

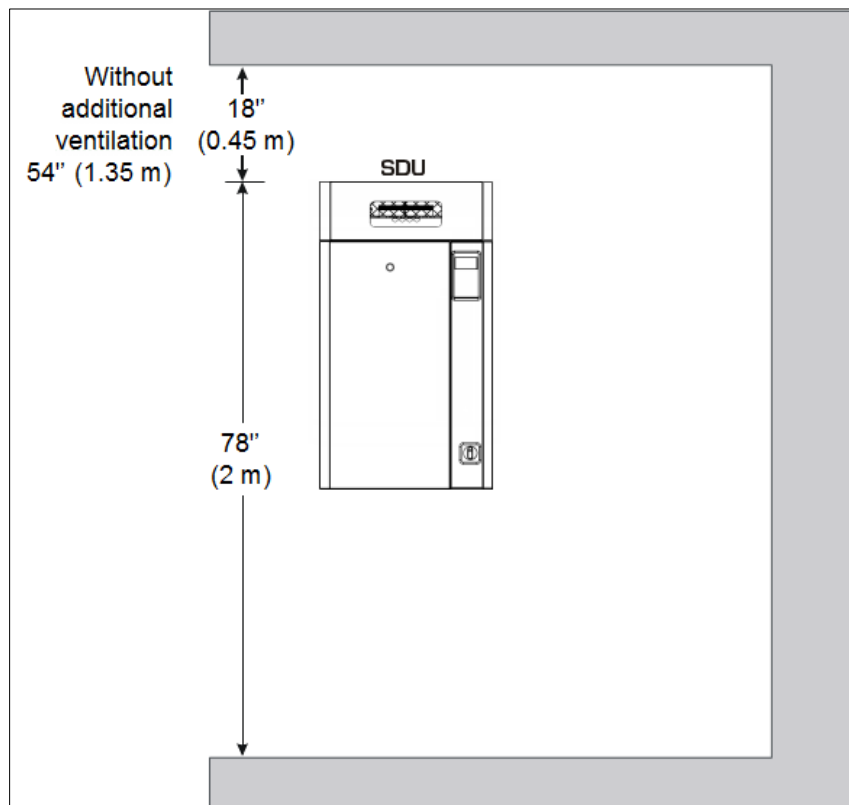


Illustration 11 - SDU Mounted on Humidifier

## Maintenance of the SDU

Clean the blower if there is an accumulation of dust.



## Positioning and Mounting - Weather Proof Enclosure Unit

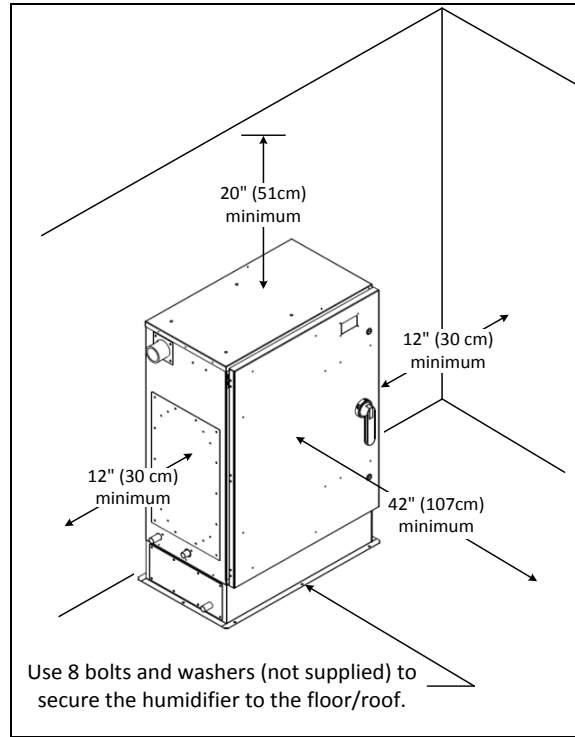


Illustration 12 - Weather Proof Enclosure Positioning

### General Recommendations

- Plan a location that is easy to access and permits an easy inspection and servicing of the humidifier.
- Do not install the humidifier where failure of the appliance could cause damage to the building structure or to other expensive equipment.
- Maintain the following minimum clearances while installing to enable access for inspection and servicing.

Side	Minimum Clearance
Top	51 cm
Both sides	30 cm
Front	107 cm

- The humidifier is designed to be installed directly on the floor/roof or a curb.
- Provide a level, solid foundation for the humidifier.
- Ensure that the floor/roof beneath the humidifier is water proof to withstand any water spillage during servicing or if a problem occurs.
- Attach the SKE4 enclosure securely and safely, by securing the base plate to the ground with the use of 8 bolts and washers (not supplied), as per the sizes indicated in the following table.

Model	Bolt Diameter
SKE4-E05 to SKE4-E80	8mm
SKE4-E90 to SKE4-E120	12mm



## Steam Dispersion System

### Steam Dispersion System Selection

In order to prevent the accumulation of condensation in air ducts, Neptronic has designed four basic configurations of steam distribution systems to provide the most economical solution for any particular application.

#### Steam Absorption Manifold (S.A.M.) Horizontal Duct

The S.A.M. system is suitable for installations where absorption distances are short, less than 1500 mm, and/or low duct temperatures are in effect.

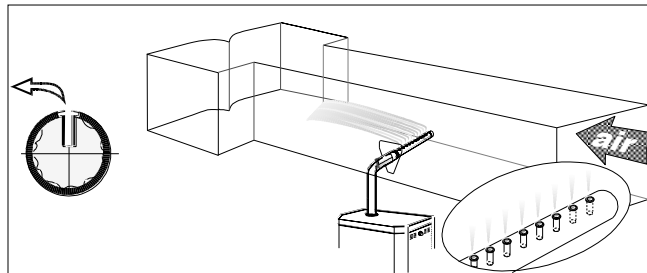


Illustration 13 - Steam Absorption Manifold (S.A.M) Horizontal Duct

#### Steam Absorption Manifold (S.A.M.E2) Horizontal Duct

The S.A.M.E2 system is suitable for installations where absorption distances are short, less than 1500 mm, and/or low duct temperatures are in effect. S.A.M.E2 are used in applications with restricted duct dimensions.

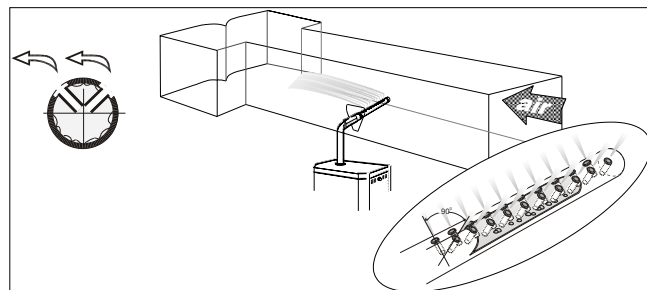


Illustration 14 - Steam Absorption Manifold (S.A.M.E2) Horizontal Duct



### Steam Absorption Manifold (S.A.M. or S.A.M.E2) Vertical Duct

S.A.M. or S.A.M.E2 systems for vertical ducts are used when the absorption distances are normal and the requirement is for an economical and efficient solution.

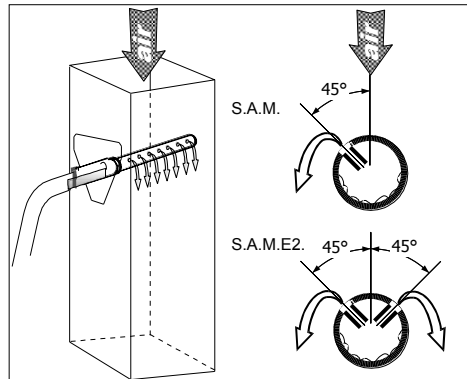


Illustration 15 - Steam Absorption Manifold (S.A.M. or S.A.M.E2) Vertical Duct

### Multi-Steam System

The Multi-Steam system is used in critical locations in air handling systems, particularly where absorption distances are very short, less than 900 mm, or where low air duct temperatures are present. The Multi-Steam is custom made to the dimensions of the duct or AHU.

Instructions to install the Multi-Steam system are described in a specific installation instructions manual enclosed with the Multi-Steam system.

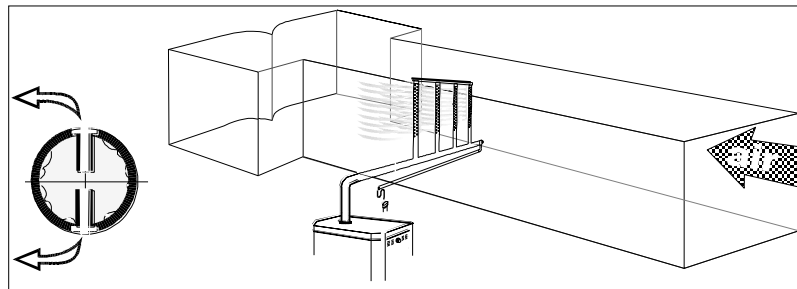


Illustration 16 - Multi Steam System

## Positioning S.A.M. and S.A.M.E2

### Duct Mounting

The steam manifold must be mounted and secured through the side of the air handling unit or duct. Ensure that provisions are made for safe accessibility, ideally with an observation light and window. Ensure that the construction of the duct wall is suitable enough to support the steam pipe for the duration of the installation life.

The dimension of the hole size in the duct must be as follows:

Steam Manifold Ø	Hole Size ØA
35 mm	51 mm
51 mm	76 mm

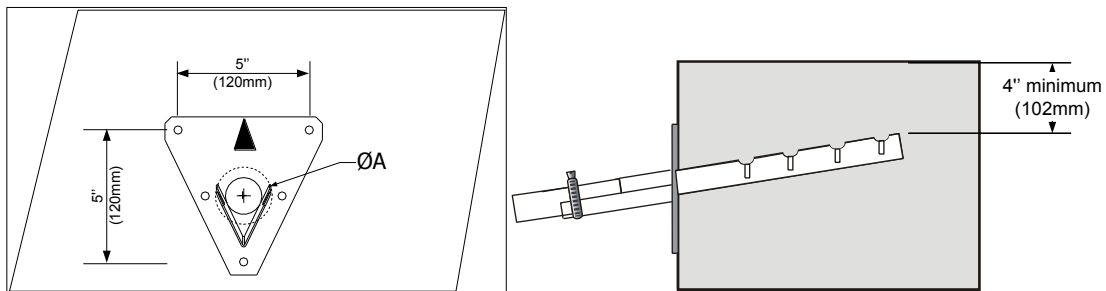


Illustration 17 - Duct Hole Dimensions and Minimum Distance



**WARNING: Risk of condensation. Ensure that the minimum distance at the end of the manifold is at least 102 mm from the top of the duct.**

### Recommendation for S.A.M. Distribution Pipes

Table 6 - Recommendation for S.A.M. Distribution Pipes

Model	Max Capacity	Distribution Pipes				Max Static Pressure (Pa)
	kg/hr	Qty		Diameter (mm)		
SKE4-E05	5	1		35		1245
SKE4-E10	10			54		
SKE4-E20	20			51		
SKE4-E30	30	1	2	35		
SKE4-E40	40			51		
SKE4-E50	50	2		51		
SKE4-E60	60					
SKE4-E80	80					

For higher static pressure, contact the manufacturer.



*Note: A steam header having an inlet of 76 mm and two or three outlets of 51 mm is required when using S.A.M. steam manifolds for models SKE4-E50 to E80 (purchased separately).*



### Placement of Steam Pipe in Horizontal Duct

#### 35mm Diameter Pipe

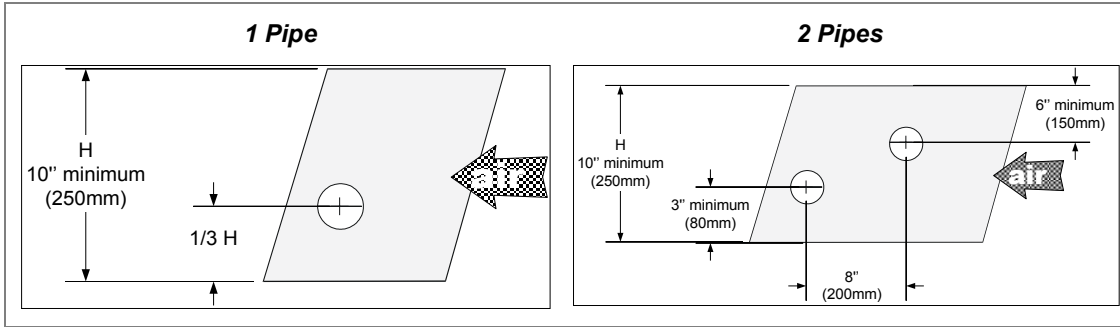


Illustration 18 - 35 mm Diameter Pipe Placement: Horizontal Duct

#### 51mm Diameter Pipe

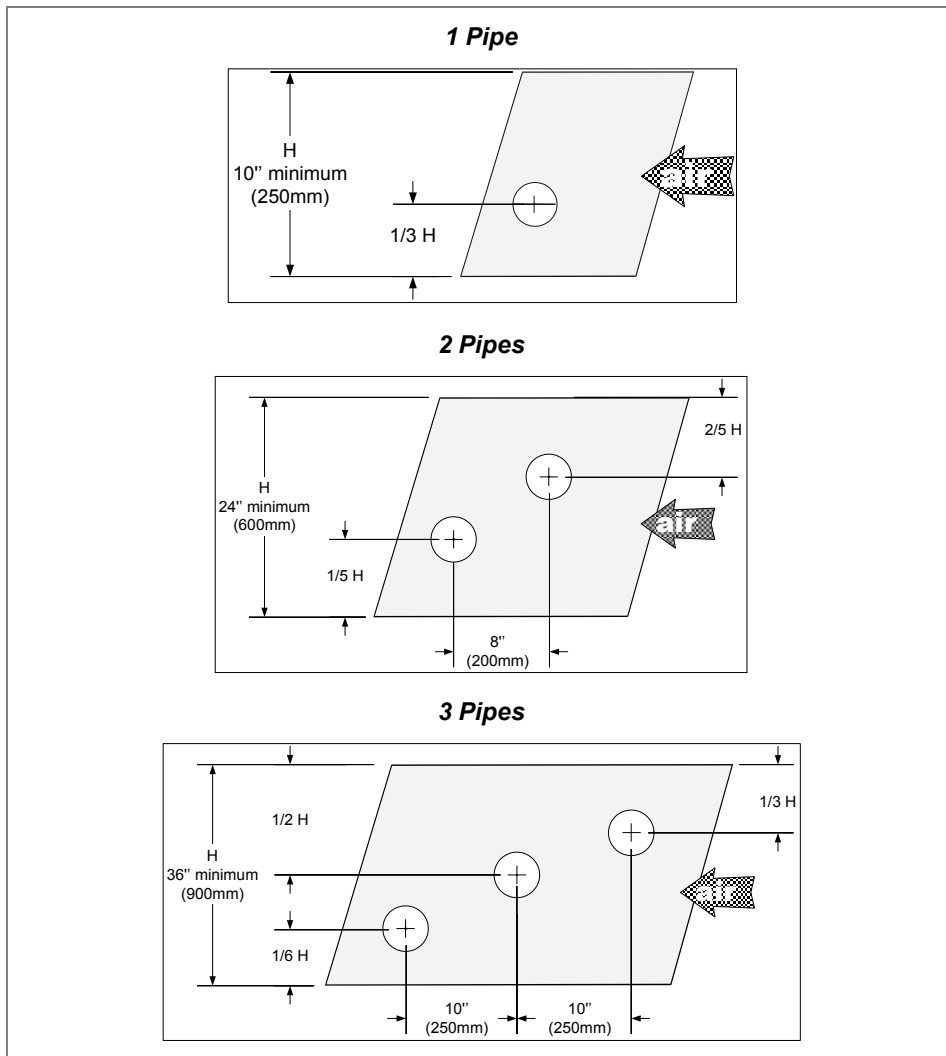


Illustration 19 - 51 mm Diameter Pipe Placement: Horizontal Duct



*Note: 51 mm steam pipe must be supported on the end by appropriate duct hanger or strap (supplied by others).*



### Placement of Steam Pipe in Vertical Duct

#### Eyelet Orientation

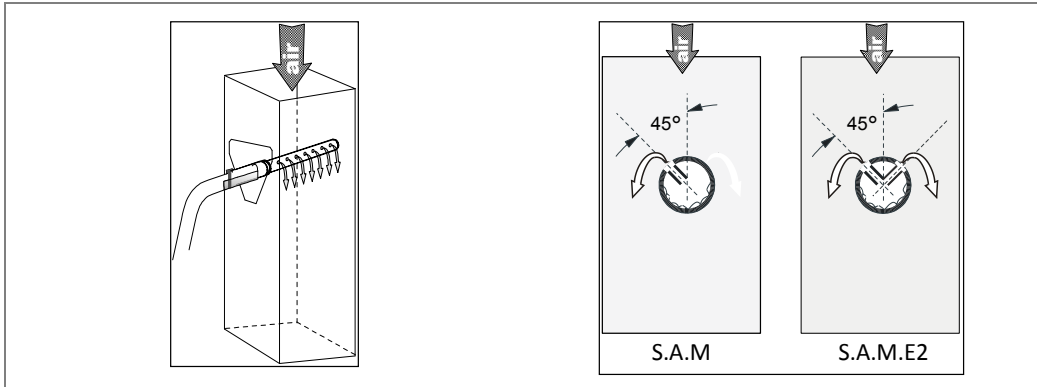


Illustration 20 - Eyelet Orientation

#### 35 mm Diameter Pipe

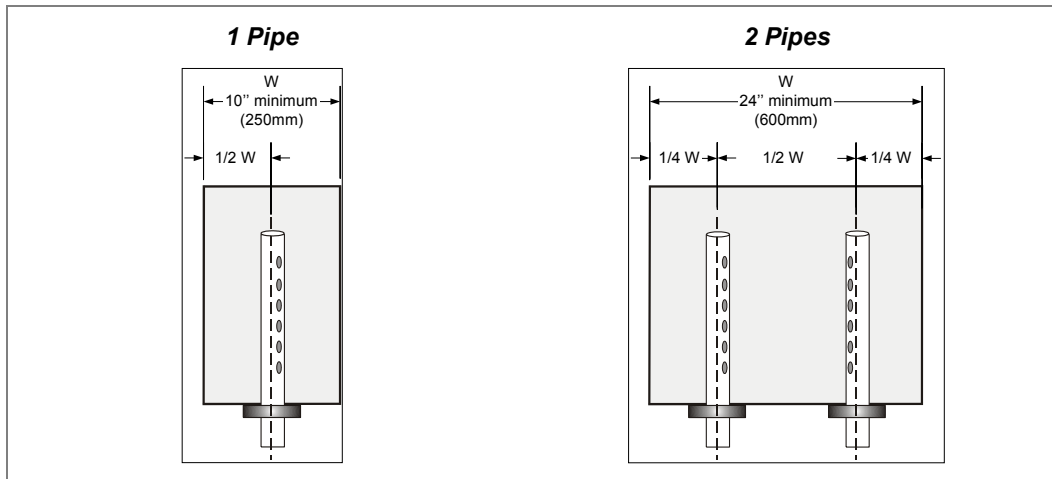


Illustration 21 - 35 mm Diameter Pipe Placement: Vertical Duct

#### 51 mm Diameter Pipe

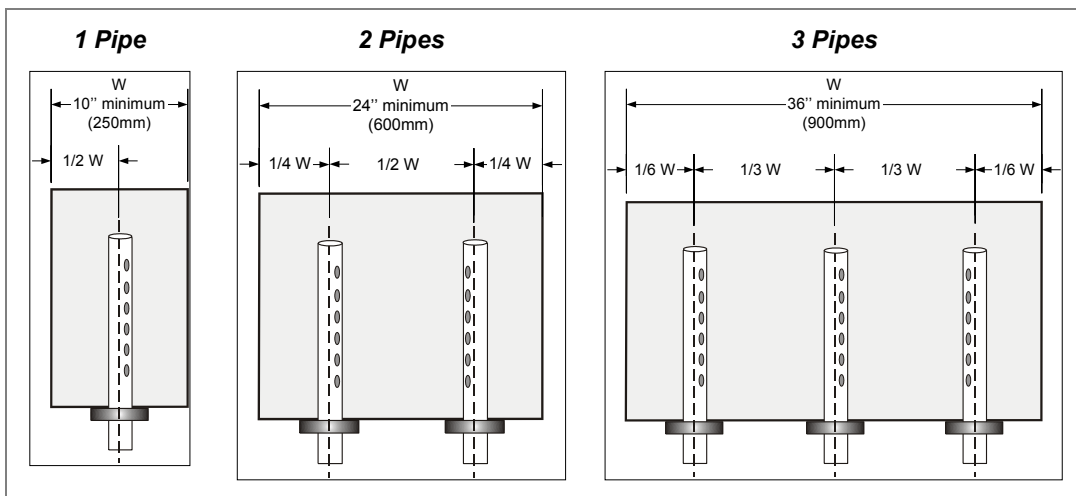


Illustration 22 - 51 mm Diameter Pipe Placement: Vertical Duct



## Steam Output Connections

### Installation

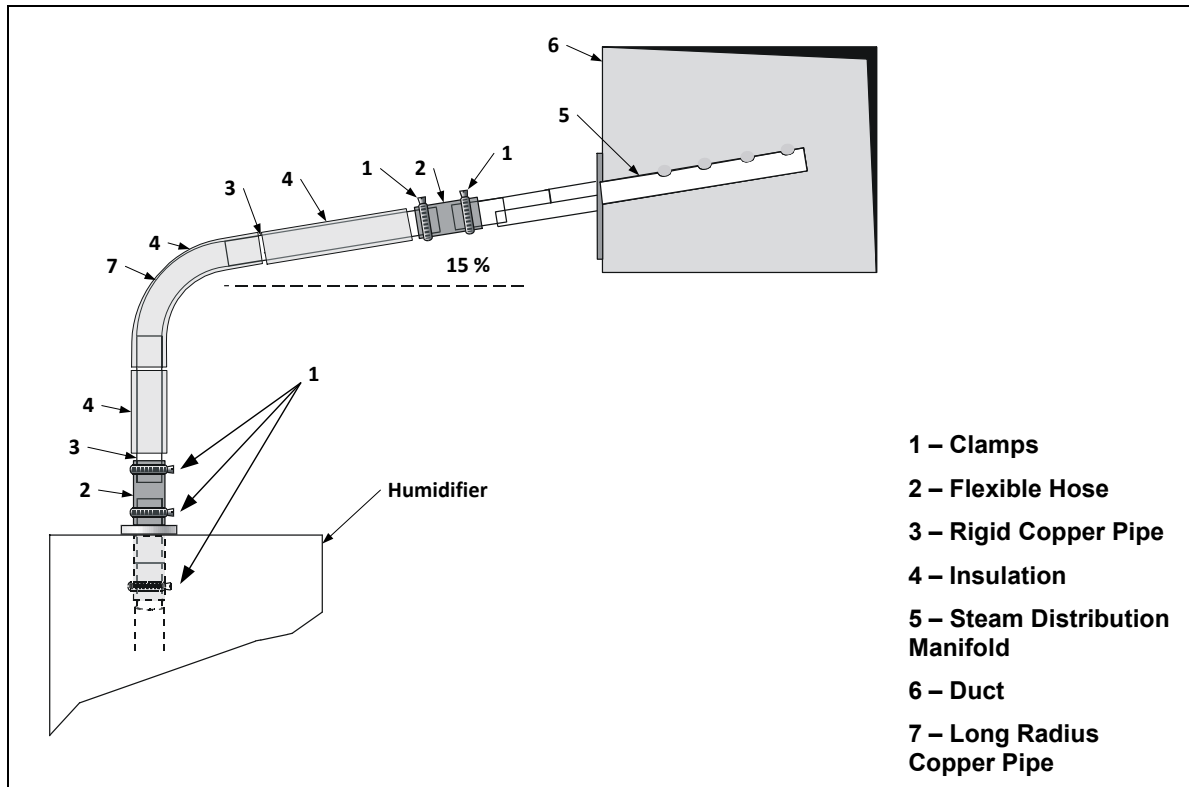


Illustration 23 - Steam Output Connections: Typical Installation

### General Recommendations

Follow these general installation rules in order to avoid any restrictions inside the distribution pipes and the humidifier evaporation chamber, as well as condensation accumulation, which can lead to severe water accumulation in the duct or a humidifier malfunction.



**CAUTION: Risk of malfunction. Avoid kinks, sags and areas where condensate can be trapped.**

- Ensure that the slope of the steam hose (rigid or flexible) is not less than 15% (7 horizontal lengths for 1 vertical length), in order to ensure continuous drainage of condensation back to the humidifier or to a steam trap.
- Use flexible steam hoses for short runs (up to 5 m) or for interconnecting between the rigid pipe runs. Ensure that there are no kinks and that the hose does not sag when using flexible tubing. Do not use flexible hoses for curved portions of the steam line.
- Determine the total steam line for insulated hard piping based on the capacity of the humidifier, such as 0.67 m for each kg/hr capacity of the humidifier with a maximum of 15 m. Consult factory for longer steam line runs.
- If you are using a rigid copper pipe, use insulation to diminish condensate build-up.





### S Trap Installation on the Steam Line

- The lowest point of any steam hose or rigid pipe must be the humidifier. If the humidifier cannot be the lowest point of the piping, install one or more steam traps (S Type) at the lowest point(s) of the steam supply piping. The steam separator (S trap) must be installed higher than the static pressure of the system by at least 51mm.

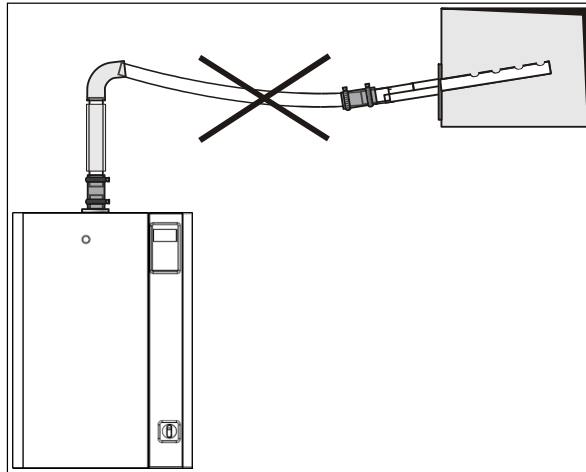


Illustration 24 - Steam Output Connection: Incorrect Installation

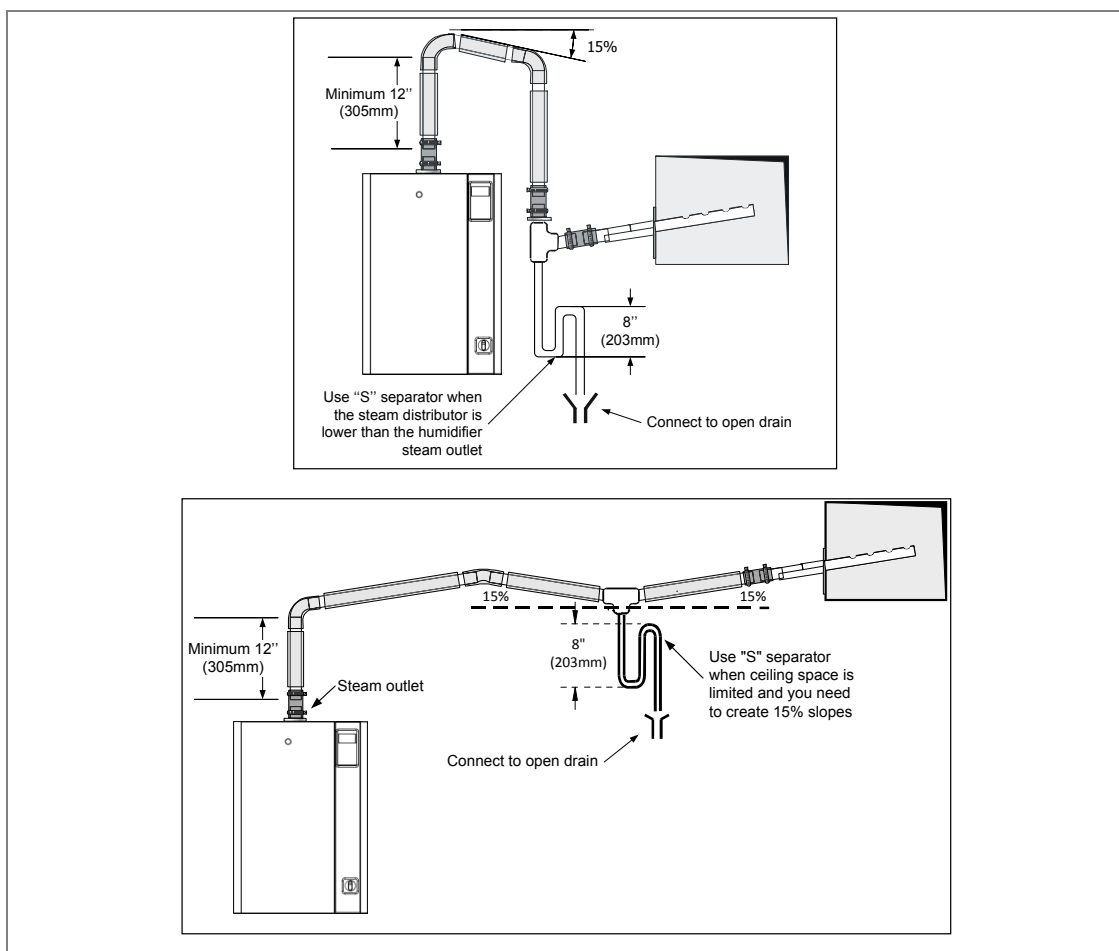


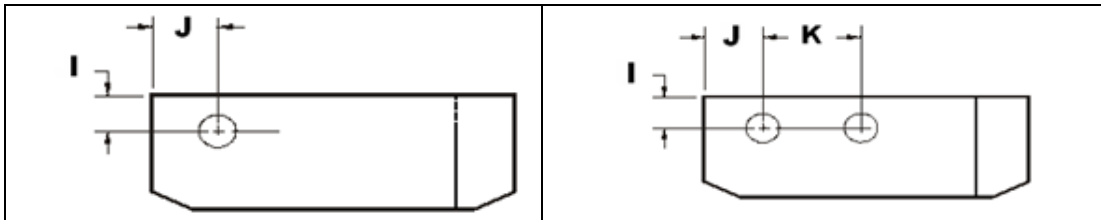
Illustration 25 - Steam Separator (S trap) Installation



## Position of Steam Outputs

Table 7 - Position of Steam Outputs

Model	I	J	K
SKE4-E05	171 mm	232 mm	-
SKE4-E10 SKE4-E20 SKE4-E30 SKE4-E40	191 mm	305 mm	-
SKE4-E50 SKE4-E60 SKE4-E80	191 mm	584 mm	-
SKE4-E90 SKE4-E100	276 mm	462 mm	-
SKE4-E110 SKE4-E120	276 mm	229 mm	234 mm



## Remote Installation - Humidifier with SDU

The SDU can be installed in a different location than the humidifier (remote SDU). Follow the piping recommendations.

- Mount the SDU to the wall on brackets (supplied). Do not drill mounting holes through the cabinet of the SDU.
- Connect the steam hose to the bottom inlet of the SDU and to the humidifier steam outlet located on top of the cabinet.
- Secure the steam hose with the hose clamp (supplied).
- Connect the condensate hose to the bottom of the SDU and to an open drain or to the humidifier using the knockout hole located on the back of the cabinet.
- Connect the electrical wires from the SDU to the top of the humidifier. Field wiring must conform to local codes.
- The fan of the SDU will operate for a period of five minutes after steam production has stopped to prevent condensation.
- Avoid any obstruction of the ventilation openings on top of the SDU.

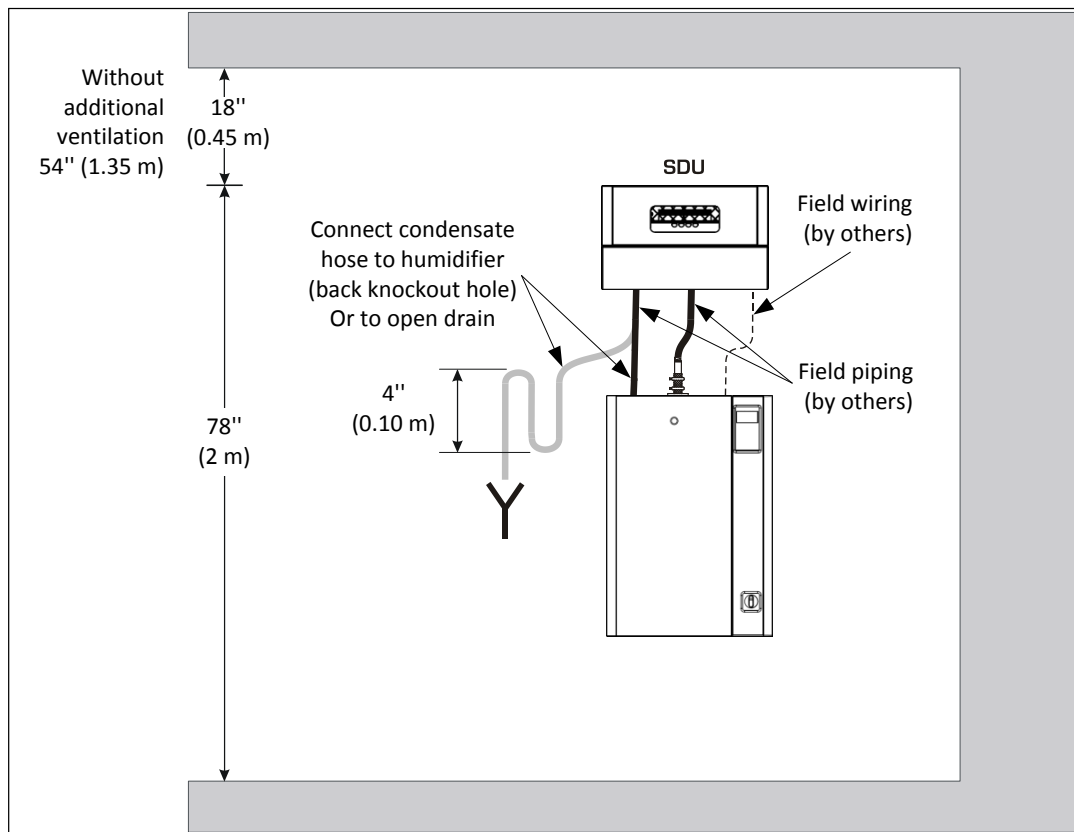


Illustration 26 - SDU Remote Installation



### Wall Mounting the Remote SDU

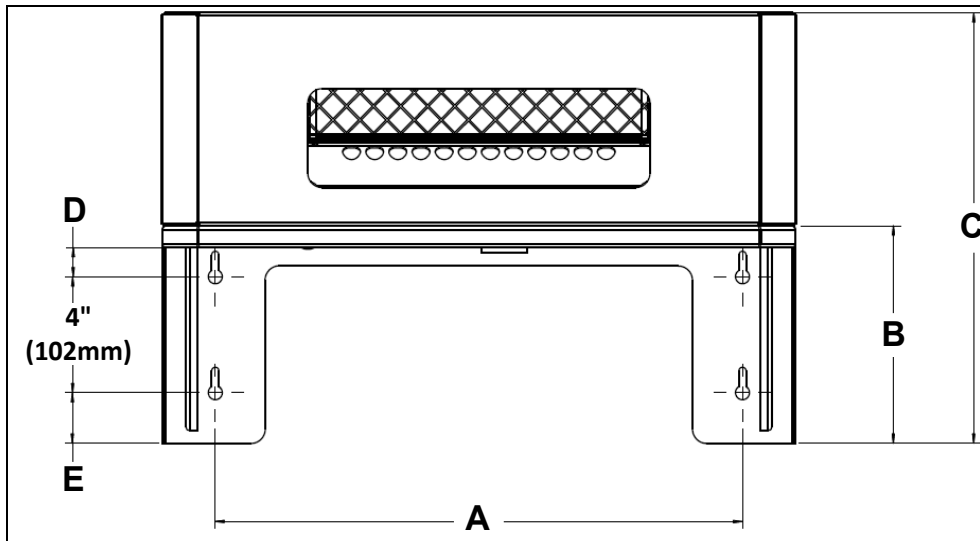


Illustration 27 - Remote SDU Mounting Bracket

Table 8 - Remote SDU Mounting Bracket Dimensions

Model	SDU	Dimensions (mm)				
		A	B	C	D	E
SKE4-E05	SDU4-1	406	171	348	19	29
SKE4-E10 SKE4-E20	SDU4-2	470	191	377	25	45
SKE4-E30 SKE4-E40	SDU4-3	470	191	480	25	45



### Remote SDU Cover Installation (Option)

Perform the following steps to install the optional remote SDU cover.

- 1) Secure the two side covers onto the remote SDU mounting bracket by fastening them with 3x M3.5 x 0.6 nuts (supplied).
- 2) Secure the front cover onto the remote SDU mounting bracket by fastening it with 6x M4 x 0.7 screws (supplied).

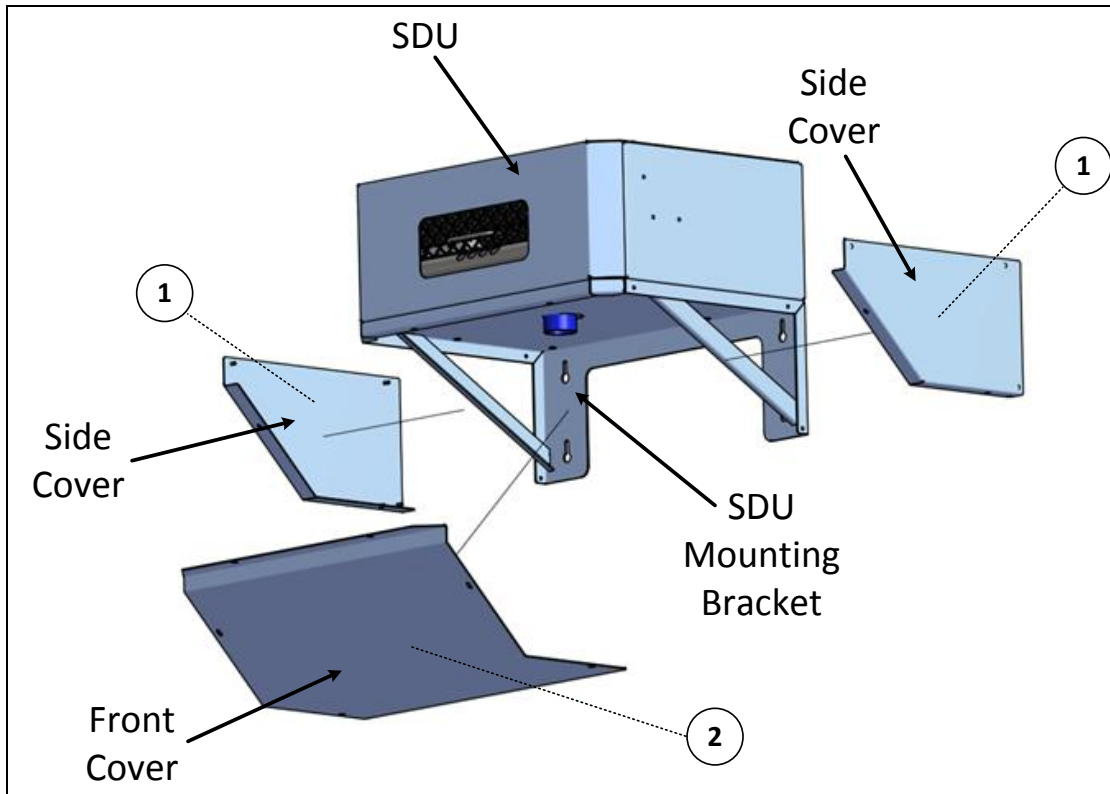


Illustration 28 - Remote SDU Cover Installation



# Plumbing Connections



**Plumbing Installation must conform to Local and National Codes.**

**Any installation work must be carried out by suitably qualified personnel.**

The SKE4 humidifier can operate with tap, reverse osmosis and deionised water.

- For normal operation, pre-treatment of water is not necessary.
- For ultrapure deionised or reverse osmosis water (2-10 µS/cm), the ultrapure humidifier option must be used.
- The chloride concentration in the humidifier’s evaporation chamber must remain below 10ppm (20ppm for ultrapure water).
- As the humidifier is equipped with the Neptronic Anti-Foaming Energy Conservation (AFEC) system, which drains the humidifier in the presence of foam to ensure clean and safe operation, the use of softened water is not required.

If a third party requires a water softener for any operational or equivalency purposes, ensure that the water dilution feature is enabled. To enable this function, configure the value of the *BlowdownRate* setting located in the *Installation* menu (see page 52 for details).

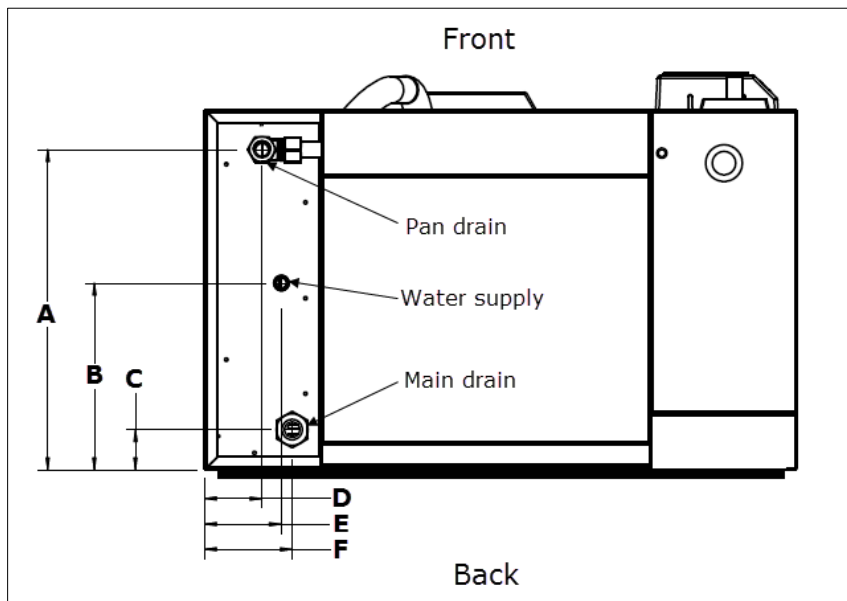


Illustration 29 - Plumbing Connections for Models SKE4-E05 to E80 (Bottom View)

Table 9 - Dimensions for Plumbing Connections (SKE4-E05 to E80)

Model	Dimensions (mm)					
	A	B	C	D	E	F
SKE4-E05	270	178	38	51	73	83
SKE4-E10 SKE4-E20 SKE4-E30 SKE4-E40 SKE4-E50 SKE4-E60 SKE4-E80	304	178	38	51	73	83

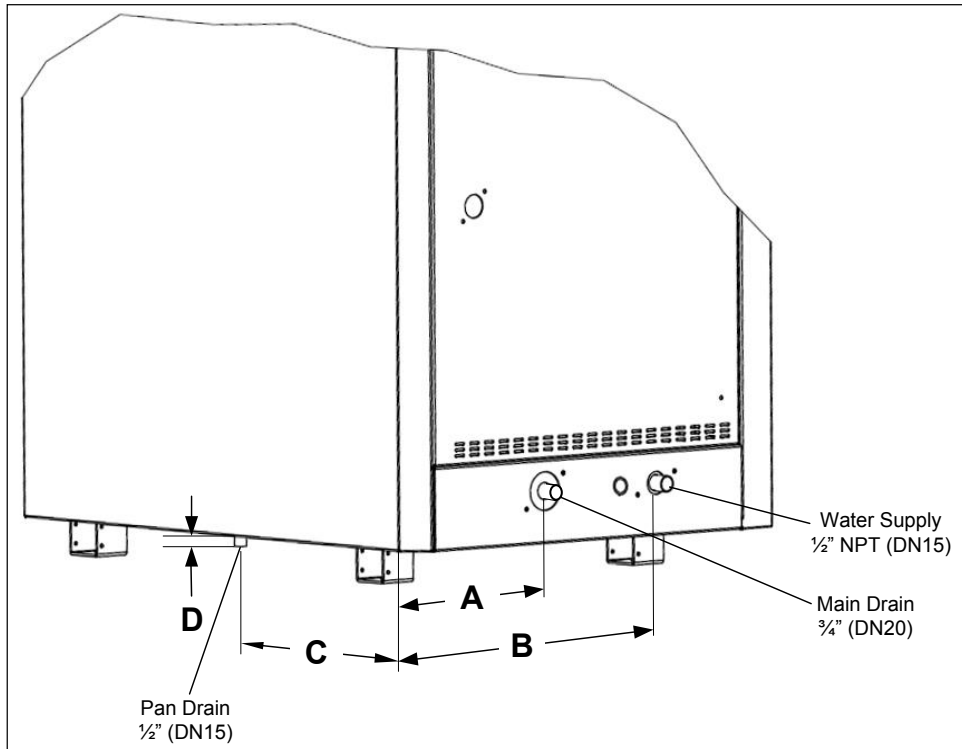


Illustration 30 - Plumbing Connections for Models SKE4-E90 to E120

Table 10 - Dimensions for Plumbing Connections (SKE4-E90 to E120)

Model	Dimensions (mm)			
	A	B	C	D
SKE4-E90 SKE4-E100 SKE4-E110 SKE4-E120	105	340	489	25



Note: For models SKE4-E90 to E120, the water supply inlet and main drain outlet are located on the right hand side of the humidifier by default. Left hand side or bottom placement (only with weather proof enclosure option) are available upon request.



## Water Supply Connections

- Water Inlet Specifications:
  - Inlet water pressure: 1.7 to 4.8 bars
  - Maximum temperature: 30°C
  - DN15 standard copper water line connection or DN20 PEX pipe line
- Water Supply Line Installation:
  - Connect a DN15 water supply braided hose (by others) to the male threaded part of the pipe.
- In order to facilitate servicing, install a shutoff valve (not supplied) in the water supply line close to the humidifier.
- It is recommended to install a standard water strainer in the water supply line.
- It is recommended to install a water hammer arrestor, in order to absorb hydraulic shock and minimize water hammer when the fill valve closes.

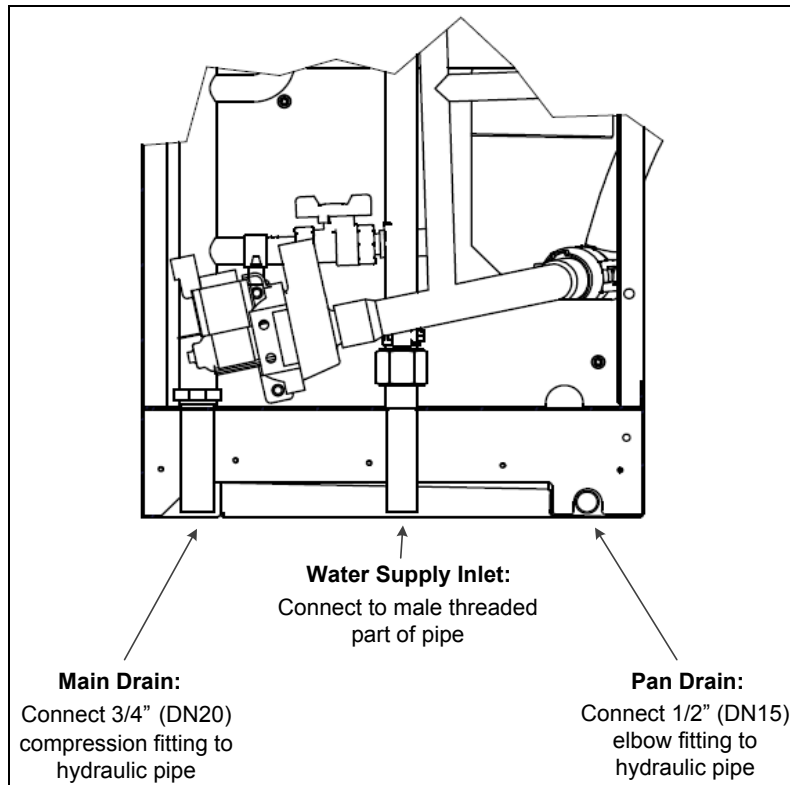


Illustration 31 - Water Supply and Drain Connections





## Water Drain Connections

- Water Drain Specifications:
  - Evaporation chamber water drain temperature: 60°C.
  - Standard hydraulic fittings (supplied): a DN20 female compression fitting for the evaporation chamber drain and a DN15 female elbow fitting for the pan drain.
- 2 hydraulic pipes (not supplied) must be placed underneath the humidifier and connected to the drain pipes (see Illustration 31 - Water Supply and Drain Connections).
- Use DN20 and DN15 standard copper or stainless steel hydraulic pipes.
- It is recommended that the installed drain piping is rated for 100°C.
- Ensure that the drain pipe dimension is sufficient, especially if more than one humidifier is evacuating into the same drain line.
- The minimum drain pipe gradient must be of 6.5mm per 300mm.
- The humidifier drain pipes do not require a drain trap and must be piped to an open drain.
- The main drain pipe must have a minimum diameter of DN40.

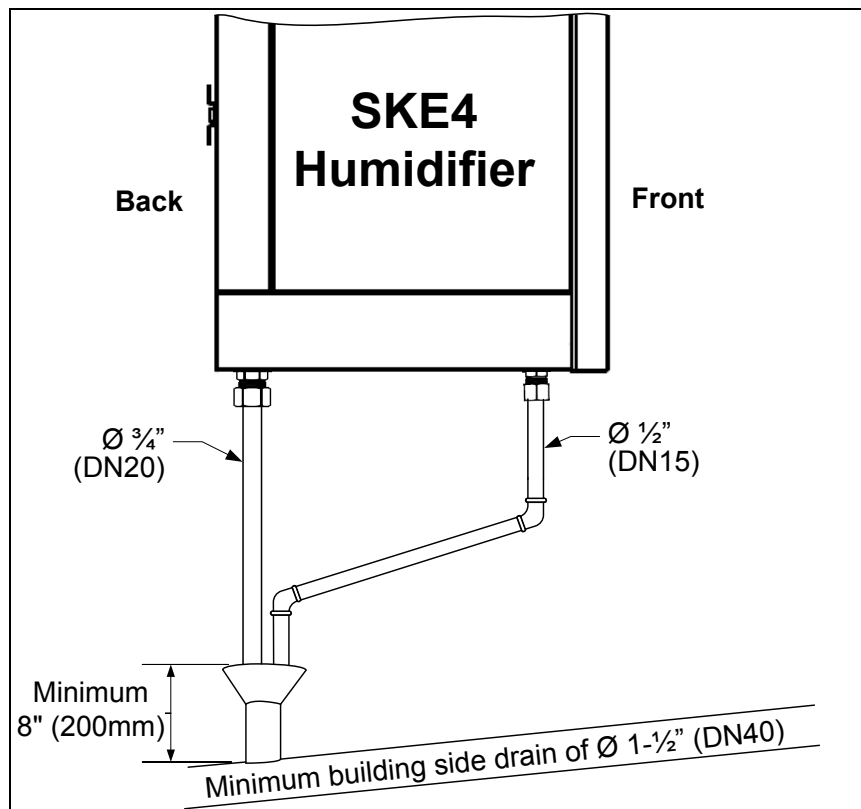


Illustration 32 - Plumbing Connection to Open Drain



## Weather Proof Enclosure Plumbing Connection

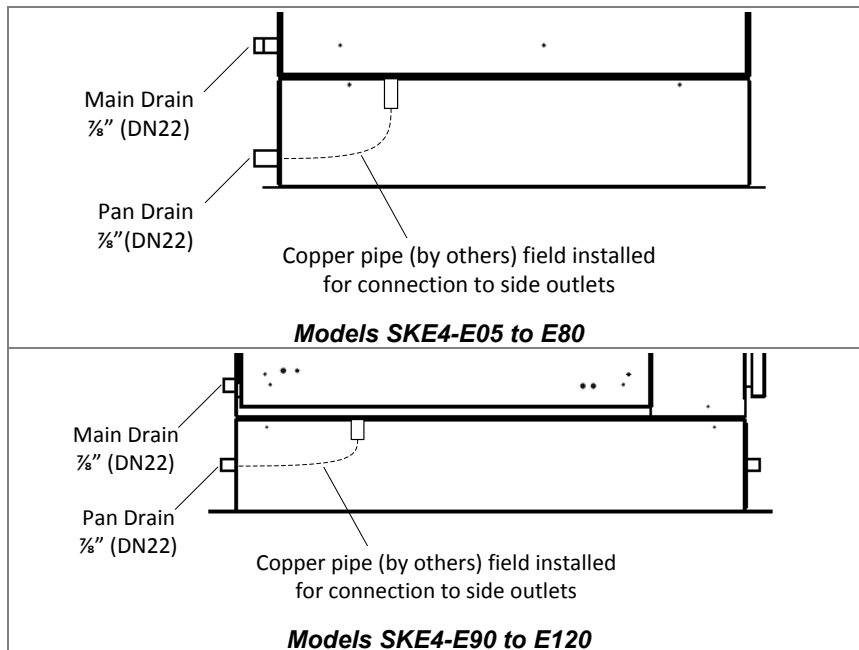


Illustration 33 - Weather Proof Enclosure Plumbing: Front View

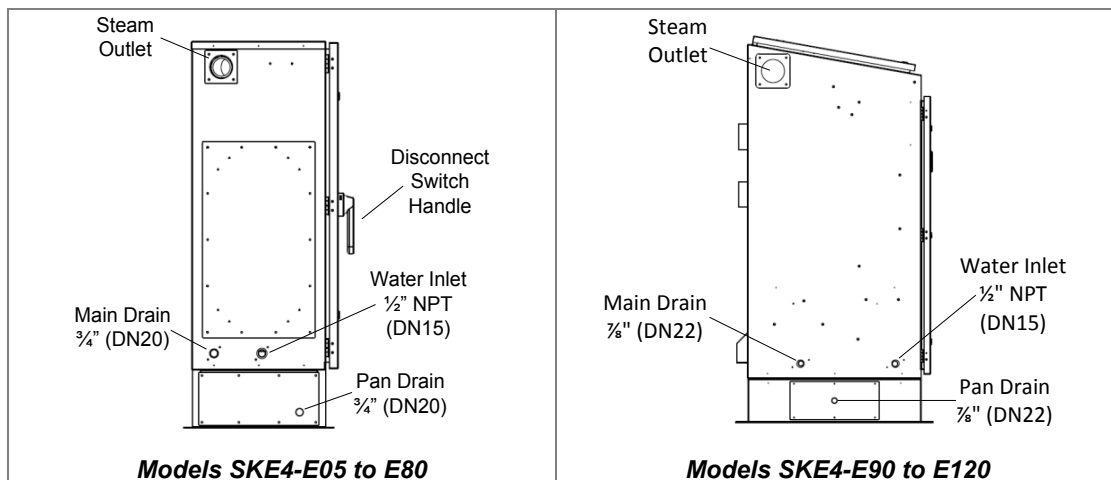


Illustration 34 - Weather Proof Enclosure Plumbing: Side View

**i** *Note: By default, the steam outlet, water supply inlet and main drain outlet are on the left hand side, and the pan drain outlet is located on the bottom of the humidifier. Other locations of any of these outlets or inlets are available upon request.*

### Water Drain Valve

The weather proof enclosure is equipped with a normally open valve, enabling the humidifier to drain all water during a power failure, in order to prevent water from freezing within the unit. During normal operation, the humidifier reduces drain water temperature to 60°C.



**CAUTION: During a power failure, the drain water temperature is not reduced. Installed drain piping must be rated to 100°C.**



## Electrical Connections



**CAUTION:** Risk of electric shock. Disconnect the humidifier from the electric supply before proceeding with the connection.



**WARNING:** Risk of fire. Do not interchange the power terminal block designated L1, L2 and L3 with low voltage terminal block designated 1, 2 and 3.

- The wiring to the humidifier must be done by a qualified electrician and must conform to the procedure, regulation and local codes.
- Use copper conductors only.
- The humidifier is equipped with a built-in disconnect switch, to turn off the power without opening any access doors.
- An external over current protection must be installed on the supply, adjacent to the humidifier. It is also recommended to install a circuit breaker.
- To provide strain relief to the supply cable, install a knock-out (not supplied) at the bottom of the electrical compartment of the humidifier.
- Ensure that the size of the wire conductors is appropriate for the current supplied.
- Ensure that each terminal connection is properly secured.
- Ensure that the ground conductor is equipped with a ring terminal and is connected directly to the electrical panel.

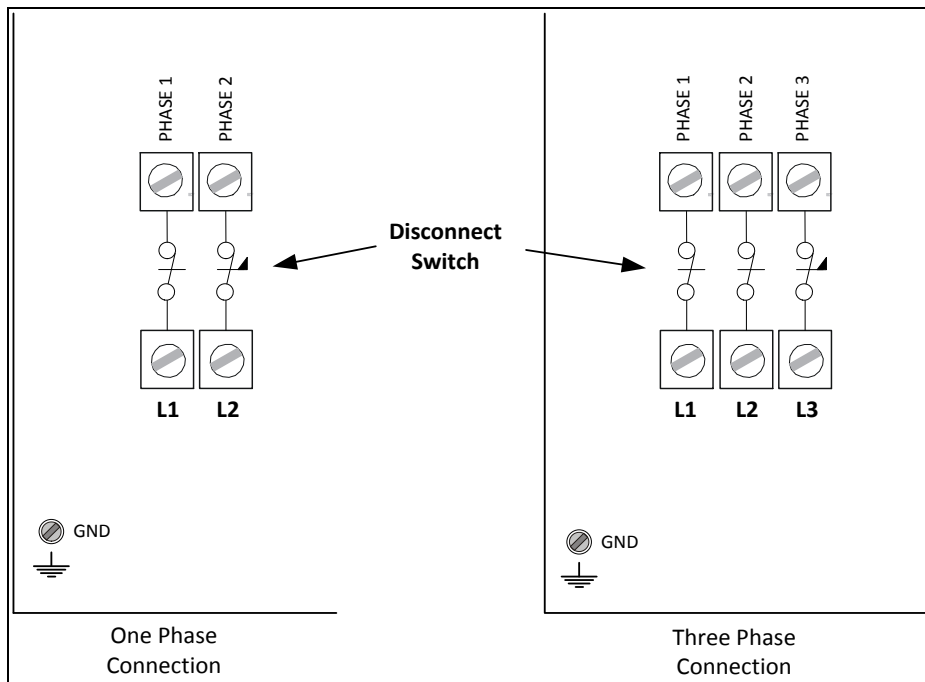


Illustration 35 - One and Three Phase Power Connections



## Power Supply Hole Locations

The high voltage compartment of the humidifier is equipped with knockout holes, enabling field wiring to pass through.

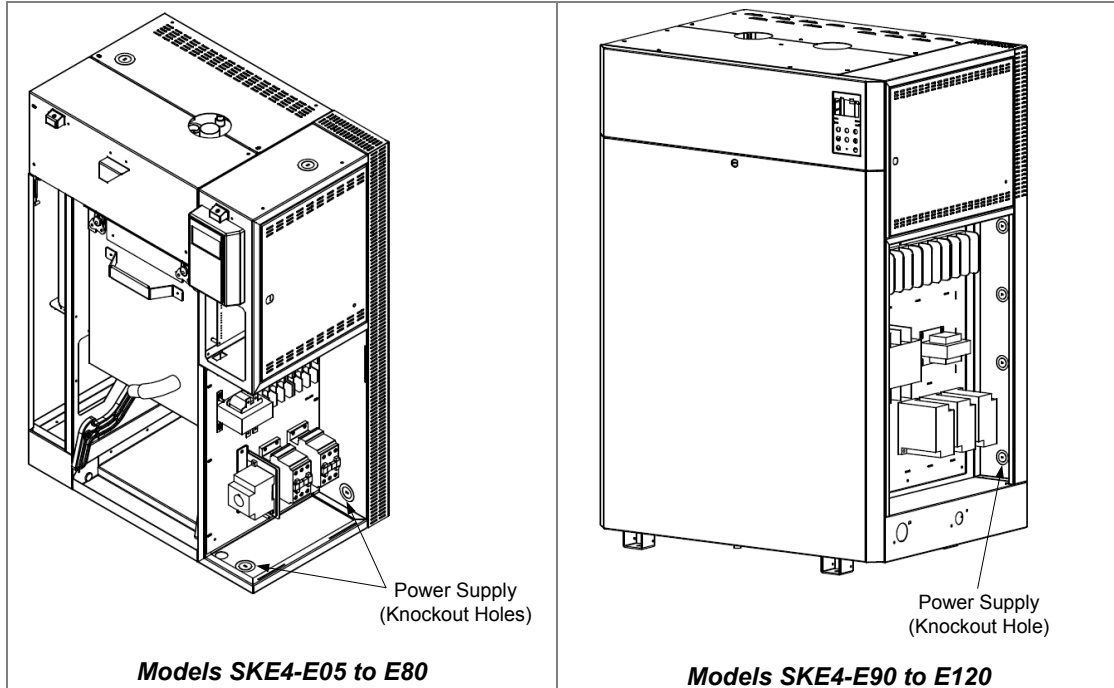


Illustration 36 - Power Supply Holes (Standard Humidifier)

For humidifiers having the weather proof enclosure, designated power supply holes are located in the bottom of the high voltage compartment, enabling field wiring to pass through.

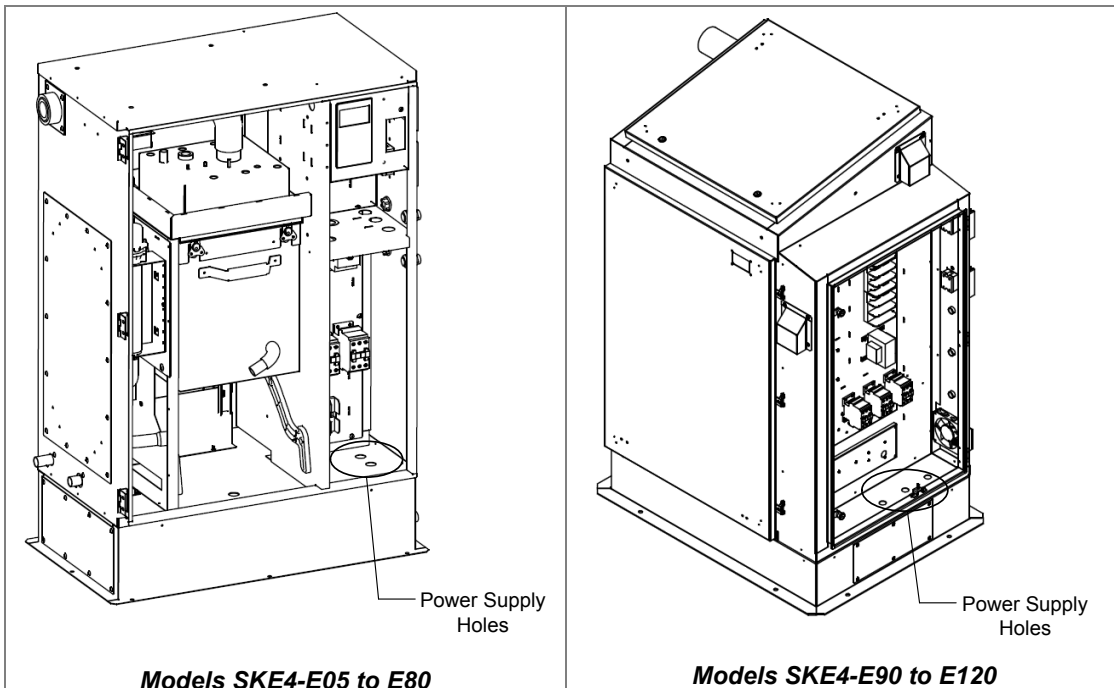


Illustration 37 - Power Supply Holes (Weather Proof Enclosure)



## Low Voltage Control Connections

### Printed Circuit Board

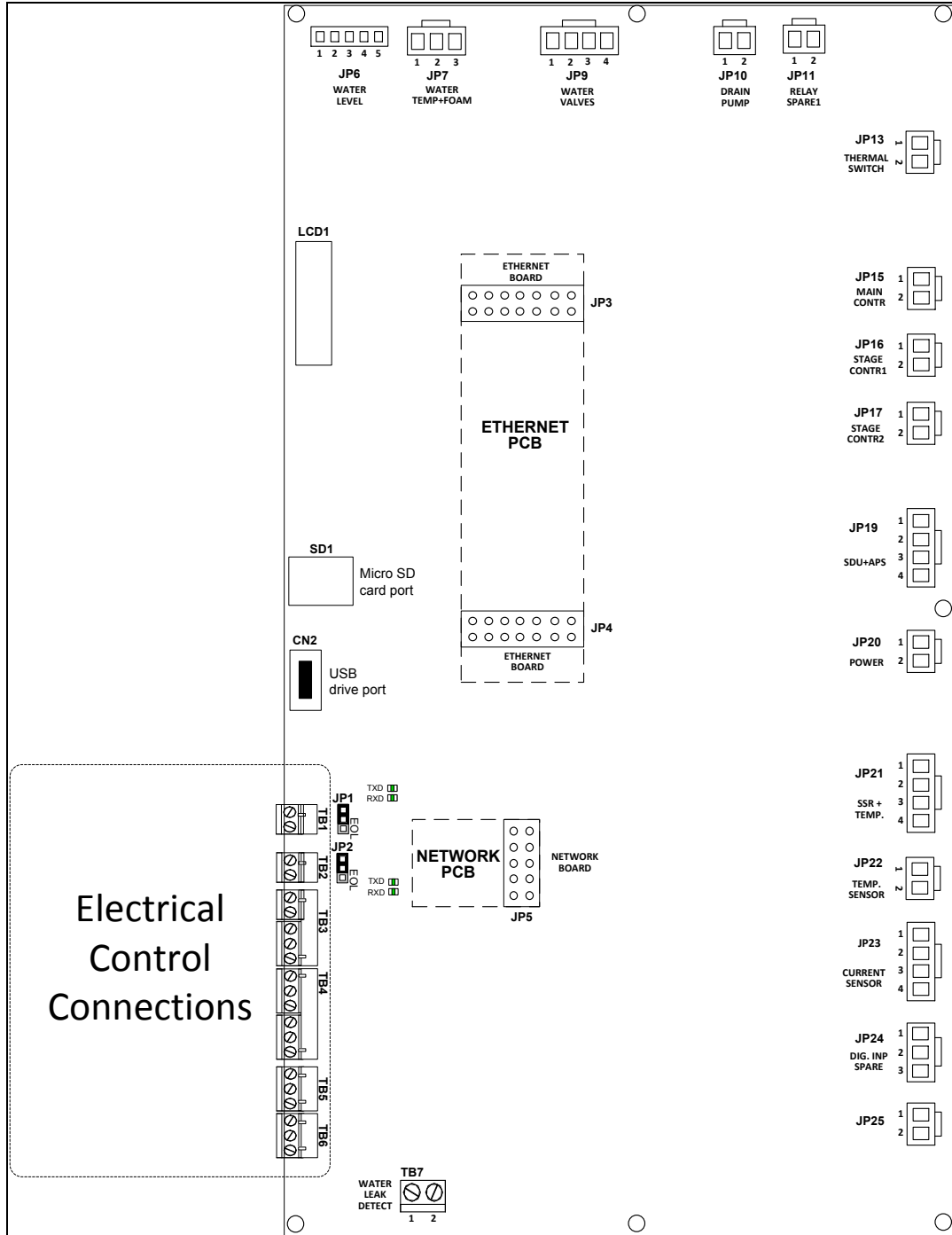


Illustration 38 - Printed Circuit Board Interface

The Printed Circuit Board (PCB) of the SKE4 Steam Humidifier is equipped with an advanced microprocessor, which controls all of the functions of the humidifier. All electrical control connections have been grouped alongside the bottom left corner of the PCB.

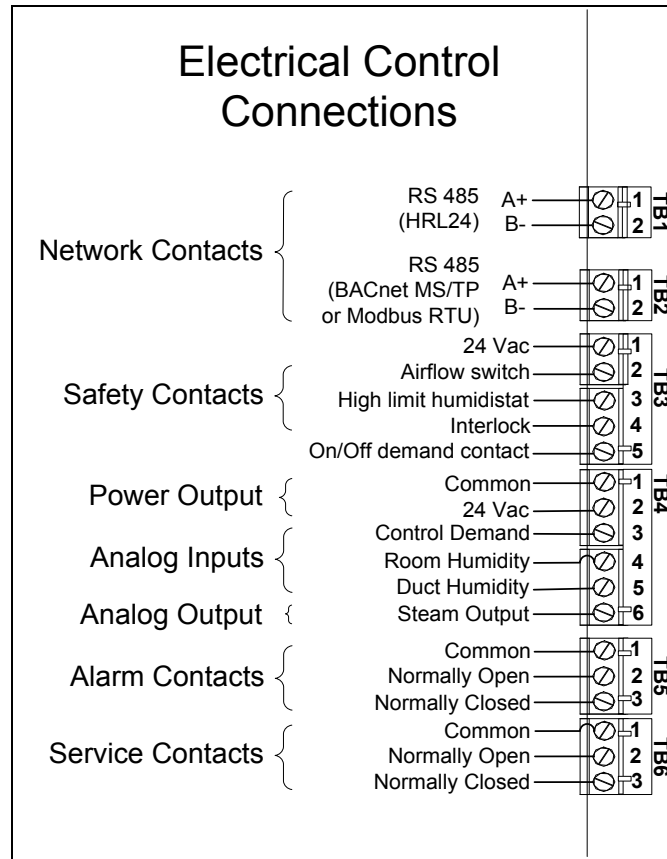


Illustration 39 - Electrical Control Connections

### Safety Contact Connections

The **Airflow switch** contact must be wired between terminals TB3 1&2. If this contact opens, operation of the SKE4 unit will stop. The unit will display the airflow switch as open, but will not generate an alarm. If an airflow switch is not used, install a jumper between terminals TB3 1&2.

The **High limit humidistat** contact must be wired between terminals TB3 1&3. If this contact opens, operation of the SKE4 unit will stop and an **alarm** message will be displayed. If a high limit humidistat is not used, install a jumper between terminals TB3 1&3.

The **Interlock** must be wired between terminals TB3 1&4. If this contact opens, operation of the SKE4 unit will stop. The unit will display the Interlock as open, but will not generate an alarm. If Interlock is not used, install a jumper between terminals TB3 1&4.

### Dry Contacts

Two series of volt free contacts are provided:

1. Alarm Contacts
  2. Service Contacts
- These contacts are used to switch a low voltage, ideally 24V, with a switching current of no more than 3 Amps.
  - Each series has one Normally Closed contact and one Normally Open contact.
  - It is recommended to use the Normally Closed contact, as this contact will open in the event of a humidifier fault.

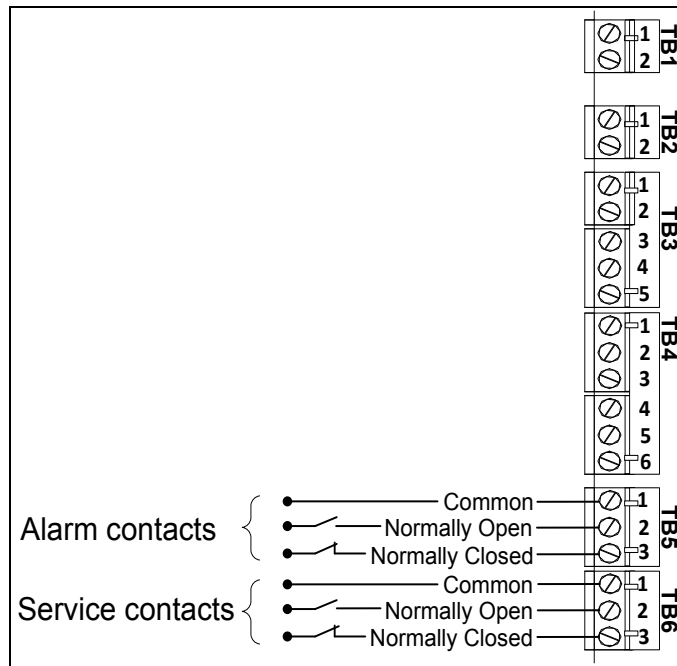


Illustration 40 - Alarm and Service Contact Wiring

### ON/OFF Humidifier

For operation of On/Off humidifiers, connect the On/Off demand contact between TB3 1&5. If this contact opens, the SKE4 unit will turn off. If this contact closes, the SKE4 unit will operate.

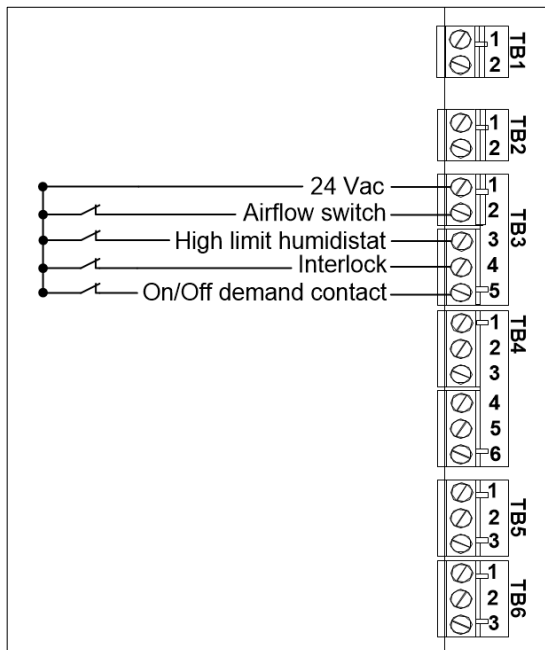


Illustration 41 - On/Off Humidifier Typical Wiring

## Modulating Humidifier

### Analog Signals

For operation of modulating humidifiers, the analog signal(s) must be connected between terminals TB4 1 and TB4 3, 4 and/or 5. To configure the source of the signal(s), access the *Control* sub-menu located in the *Installation* menu (see page 52).

### Humidity Control by Humidistat (External Mode)

Humidity controlled externally, using HRO20 humidistat:

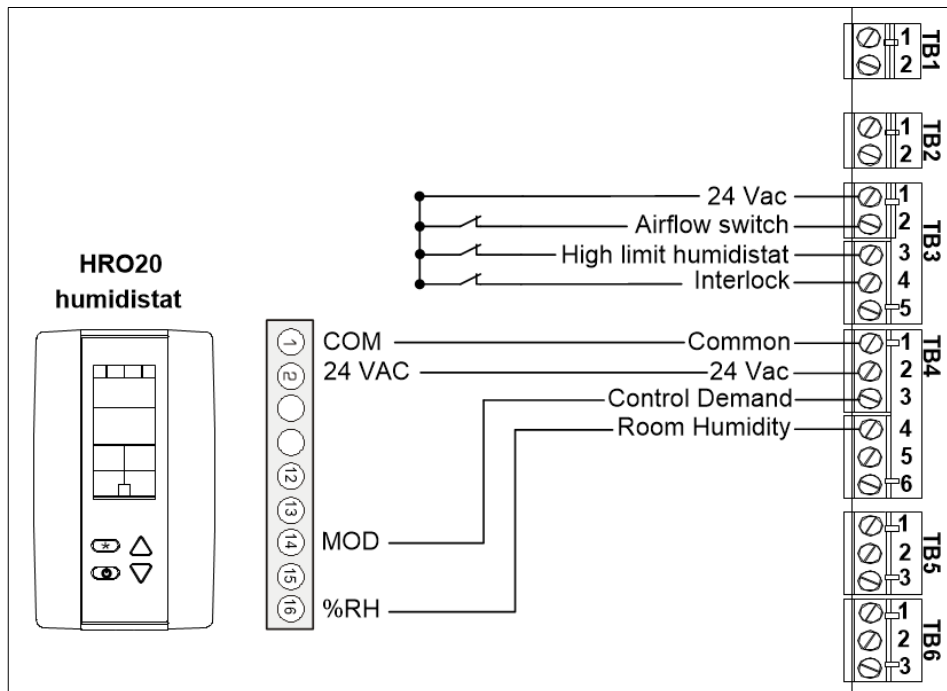


Illustration 42 - Control Signal from HRO20 Humidistat





Humidity controlled externally, using HRO20 humidistat with SHR10 or SHC80 as space sensor:

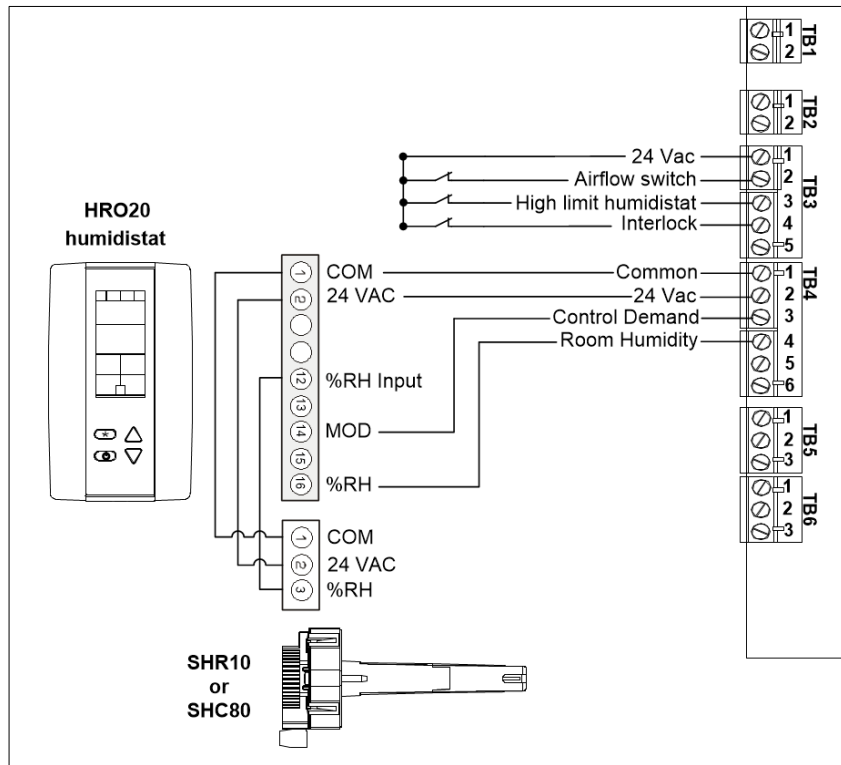


Illustration 43 - Control Signal from HRO20 Humidistat with Remote Humidity Sensor (SHR10 or SHC80)

**Humidity Control by Humidifier (Internal Mode)**

Humidity controlled internally, using SHR10 or SHC80 as space sensor:

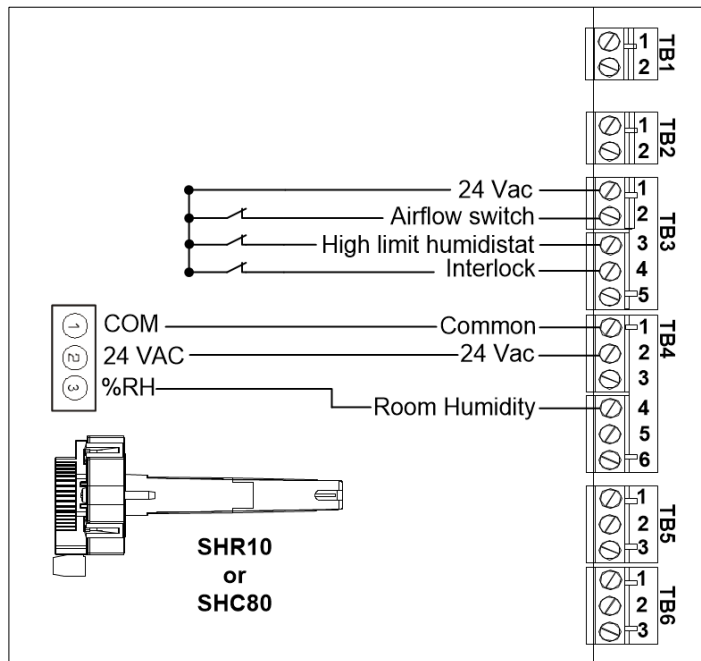


Illustration 44 - Humidity Signal from Remote Humidity Sensor (SHR10 or SHC80)



### Humidity Control by External Signal

Humidity controlled externally, using an external signal source:

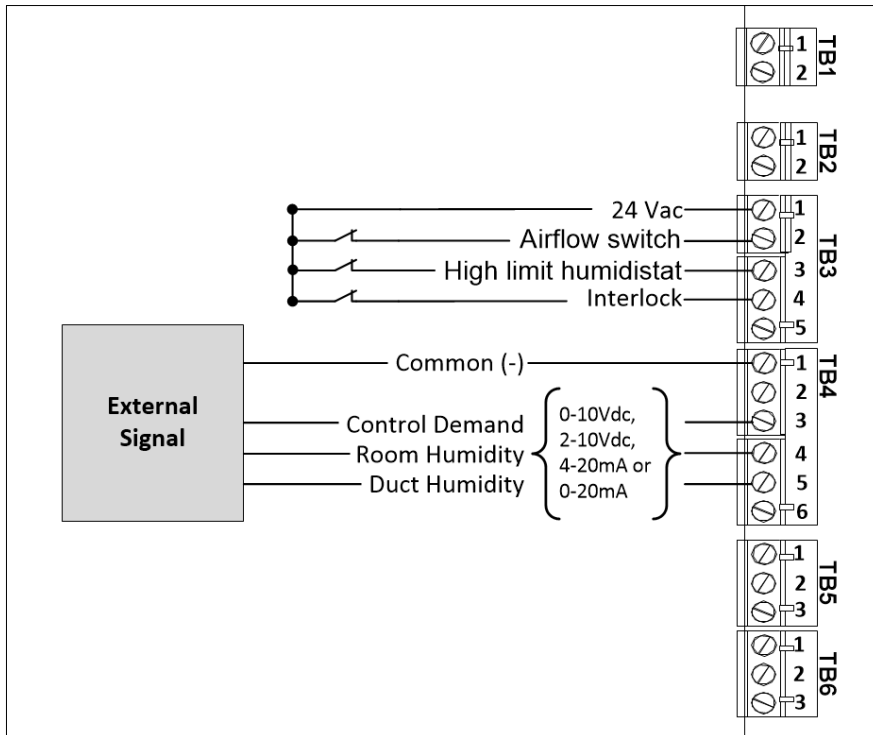


Illustration 45 - Control Signal from External Device

## Network Communication

If the control signal is from a BACnet MS/TP or Modbus RTU network, connect terminals TB2 1&2 to the network (RS485 A+ & B-).

If the control signal is from a HRL24, connect terminals TB1 1&2 to the network (RS485 A+ & B-).

The network control signal(s) must be selected by accessing the *Control* sub-menu located in the *Installation* menu (see page 52). To setup the communication parameters, access the *Integration* menu (see page 55).

**i** *Note: BACnet MS/TP is configured by default. To change the communication interface to Modbus RTU, access the NtwrkOption setting located in the Network sub-menu of the Integration menu (see page 55).*

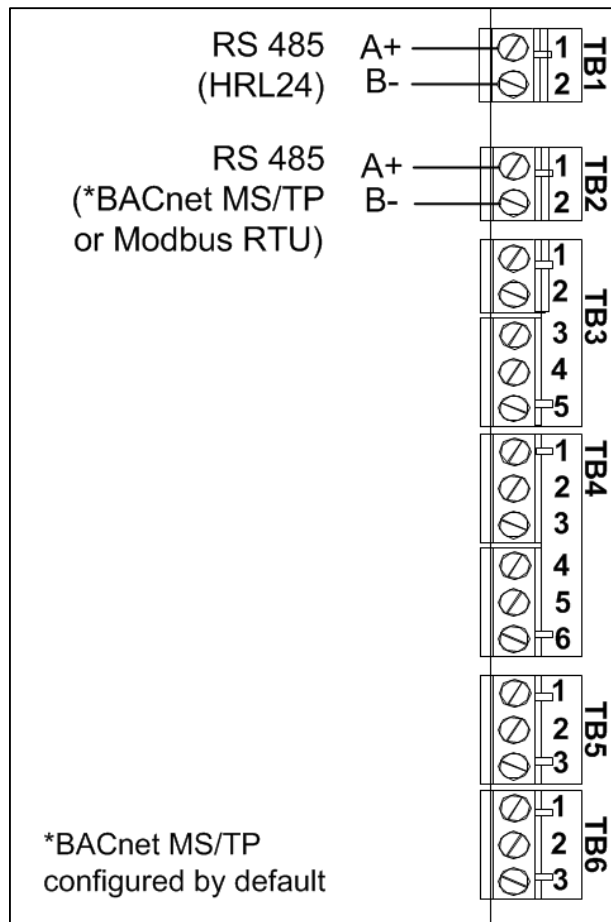


Illustration 46 - Network Communication Connections

## Controls Placement (Steam Dispersed into a Duct or AHU)

A typical humidifier control system includes the following along with the humidifier:

- A wall or return duct humidistat
- A high limit duct humidistat
- An airflow switch

Placement of these devices is critical to the proper operation of the overall system.

- The return air humidistat must always be located in the return air duct, in order to ensure accurate sensing of the air from the humidified space.
- Alternatively, a room humidistat can be used. The room humidistat must be located on an inside wall or column. It must not be near any discharge air from supply ducts or sources of heat or cold.
- The airflow switch must be placed in a position capable of accurately opening on a loss of air flow, in order to prevent the humidifier from running when there is no air to absorb humidity.
- The high limit humidistat must be positioned far enough, minimum 4.6 m, downstream of the steam dispersion manifold(s) to prevent over humidification of the duct that could result in condensation.
- Any device that may be triggered by high humidity levels in close proximity to the steam dispersion manifold must also be positioned at 4.6 m, downstream of the dispersion manifold(s).

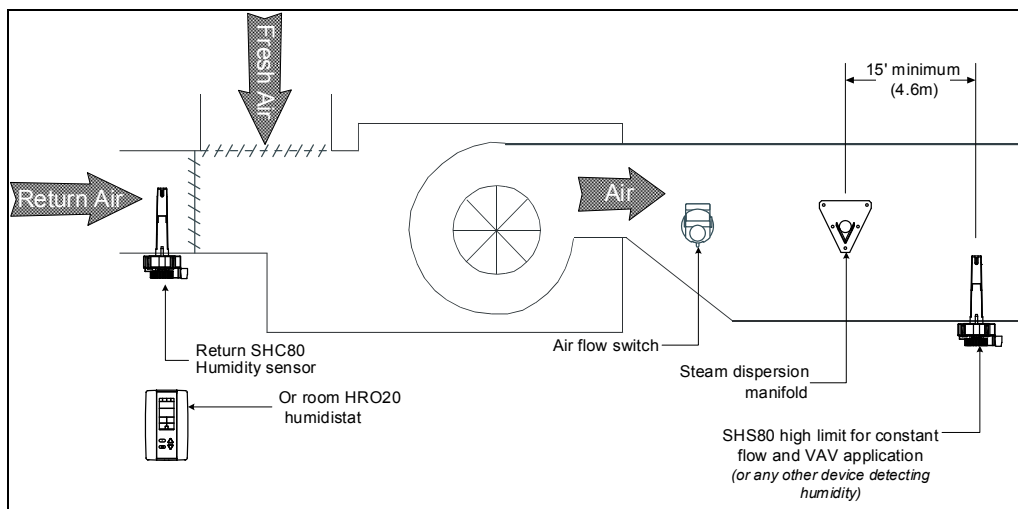


Illustration 47 - Controls Placement (Steam Dispersed into a Duct or AHU)

## Controller Configuration

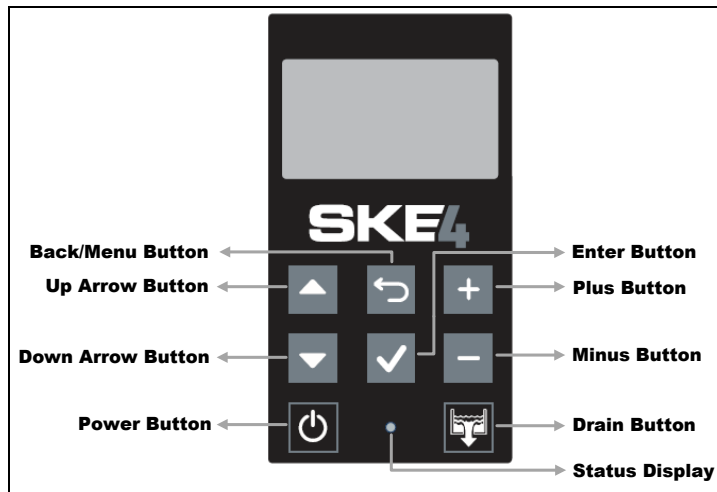













Illustration 48 - SKE4 Controller

## Control Panel Features

The following are the features of the Control Panel and their description:

Table 11 - Humidifier Control Panel Description

Feature		Description
Status Display	 (Blue)	Indicates that the humidifier is turned on. The LED will begin blinking as the system is initializing.
	 (Red)	Indicates that the alarm is issuing a warning and that the system must be verified.
	 (Off)	Indicates that the humidifier is turned off.
Power Button		The power button is used to turn the humidifier on or off. Must be pressed and held for 3 seconds to perform the related action, in order to prevent accidental activation. Even when the humidifier is powered off, the controller remains operational.
Drain Button		The drain button is used to manually activate the drain cycle. Must be pressed and held for 3 seconds to perform the related action, in order to prevent accidental activation. Even when the humidifier is powered off, a drain cycle may be initiated. <i>Once the manual drain cycle is completed, the system will automatically be powered off. To turn the humidifier back on, press and hold the power button.</i>
Up and Down Arrow Buttons		The up arrow button is used to scroll to the next menu item or parameter.
		The down arrow button is used to scroll to the previous menu item or parameter.
Plus and Minus Buttons		The plus button is used to increase the value of the displayed parameter.
		The minus button is used to decrease the value of the displayed parameter.
Back/Menu Button		The back/menu button is used to go to previous menu or to access the Main Menu page from the Idle Screen.
Enter Button		The enter button is used to advance to the next sub-menu, to access the selected option or to confirm set parameter value.

## Idle Screen

When the controller is in operation, the unit displays the following information on the Idle Screen:

Table 12 - Idle Screen Display Description

Setting	Default	Range <i>(* indicates no configuration; display only)</i>	Description/Notes
HumDemand:	<i>Current value</i>	* (min: 0.00%, max: 100.00%)	Displays the current humidity demand value.
ControlState:	<i>Current value</i>	* (Off, Normal, LowLimit, HighLimit, NoAirFlow, Interlock)	Displays the current state of the safety control circuit and whether the circuit has been disconnected due to a safety switch.
PowerOutput:	<i>Current value</i>	* (min: 0.00%, max: 100.00%)	Displays the measured power output of the system as a percentage of the total power.
State:	<i>Current value</i>	* (Off, Idle, LineRinse, TankRinse, Filling, Draining, Heating, Boiling, Alarm)	Displays the current state of operation of the humidifier.

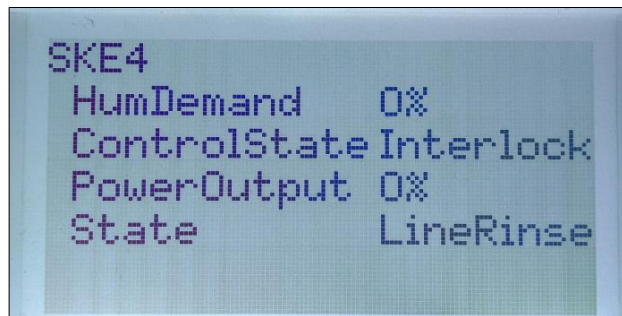


Illustration 49 - Idle Screen Display

## Menu Access

- From the Idle Screen, the Main Menu can be accessed by pressing the Back/Menu button ↵, enabling access to the General menu.
- To view other menu options and perform configurations to the system, press Enter ✓ while on the Idle Screen to advance to the Login Screen, where a valid password must be entered.
- Four different passwords can be used, each granting access to an additional menu option depending on the access level assigned to the provided password.
- If a password of higher access is provided, all menu options accessible with the use of a lower level password will also be unlocked.

Table 13 - Access Levels

Access Level	Password	Menu Unlocked	Description/Notes
1	None	General	Grants access to General menu.
2	2222	User	Grants access to General and User menus.
3	3322	Service	Grants access to General, User and Service menus.
4	4433	Installation	Grants access to General, User, Service and Installation menus.
5	5544	Integration	Grants access to General, User, Service, Installation and Integration menus.



*Note: To modify or retrieve lost passwords, please contact factory.*



- A. After accessing the Login Screen, use the + or - buttons to increase or decrease the value of the number that is highlighted.
- B. Use the ▲, ▼ buttons to scroll to the next or previous number.
- C. Press Enter ✓ to confirm the password once completed. If you enter the wrong password, the SKE4 controller displays a "Login Failed" message.
- D. The Back/Menu button ↵ may also be used to return to the Idle Screen display.



Illustration 50 - Login Screen

## Menu Navigation and Configuration

- A. Use the ▲, ▼ buttons to select the desired menu category and press Enter ✓ to advance to the next sub-menu.
- B. Use the + and - buttons to increase and decrease values. Use the ▲, ▼ buttons to scroll to the next or previous parameter. Values are saved as soon as a change is made.
- C. Press the Back/Menu button ↵ to go back one menu. The current menu location is displayed at the top of the screen.
- D. To exit completely, press the Back/Menu button ↵ until you return to the Idle Screen. After 5 minutes of inactivity, the controller will automatically return to the Idle Screen.

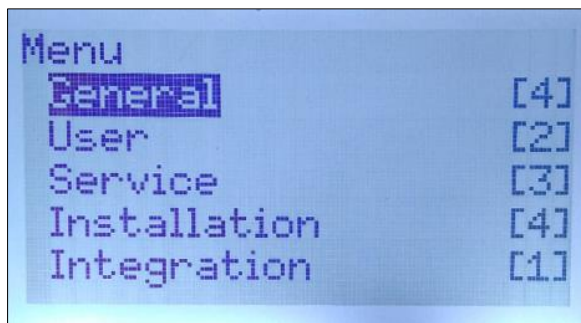


Illustration 51 - Main Menu Page



*Note: Available settings and range selections may vary depending on current configuration. The tables in the following sections display all the possible selections. The Description/Notes column indicates the conditions required for the associated setting to appear.*



# SKE4-E Steam Humidifier

## Installation Instructions and User Manual

### Menu - General [Level 1 - No password required]

Press the back/menu button from the Idle Screen to access the General menu.

Sub-Menu	Setting	Default	Range (* indicates no configuration; display only)	Description/Notes	
<b>Status</b>	AirFlow:	Closed	* (Closed, Open)	Displays the status of the airflow switch. If <b>Open</b> is displayed, it indicates that the airflow is not detected by the air pressure switch.	
	SupplyHighLimit:	Closed	* (Closed, Open)	Displays the status of the high limit contact. If <b>Open</b> is displayed, it indicates that the humidity level has exceeded the setpoint on the high limit humidistat.	
	Interlock:	Closed	* (Closed, Open)	Displays the status of the interlock. If <b>Open</b> is displayed, it indicates that the humidifier is stopped as a result of the interlock safety being open.	
	OccupancyState:	Current value	* (Occupied, Unoccupied, Vacant, Off)	Displays the current occupancy state.	
	ControlState:	Current value	* (Off, Normal, LowLimit, HighLimit, NoAirFlow, Interlock)	Displays the current state of the safety control circuit and whether the circuit has been disconnected due to a safety switch.	
	BoilerDemand:	Current value	* (min: 0.00%, max: 100.00%)	Displays the measured humidity demand of the humidifier.	
	PowerOutput:	Current value	* (min: 0.00%, max: 100.00%)	Displays the measured power output of the system as a percentage of the total power.	
	ServiceDue:	Off	* (Off, On)	Displays whether the humidifier is due for servicing.	
	State:	Current value	* (Off, Idle, LineRinse, TankRinse, Filling, Draining, Heating, Boiling, Alarm)	Displays the current state of operation of the humidifier.	
	WtrProbeFail:	None	* (None, Capacitive, Resistive, Both)	Displays which one of the water level sensor's probes is currently not functioning properly.	
	<b>Control</b>	RoomDemand:	Current value	* (min: 0.00%, max: 100.00%)	Displays the room humidity demand value. <b>(Only appears if ControlProfile is set to an internal control mode or HumCntrlDemandSrc is set to RoomDemand.)</b>
		SupplyHLDemand:	Current value	* (min: 0.00%, max: 100.00%)	Displays the supply high limit humidity demand value. <b>(Only appears if ModHLProfile is set to an internal control mode or HumCntrlHLSrc is set to SupplyHLDemand.)</b>
		HumDemand:	Current value	* (min: 0.00%, max: 100.00%)	Displays the current humidity demand value.
<b>Physical IO</b>	AirFlow:	Closed	* (Closed, Open)	Displays the status of the airflow switch. If <b>Open</b> is displayed, it indicates that the airflow is not detected by the air pressure switch.	
	SupplyHighLimit:	Closed	* (Closed, Open)	Displays the status of the high limit contact. If <b>Open</b> is displayed, it indicates that the humidity level has exceeded the setpoint on the high limit humidistat.	
	Interlock:	Closed	* (Closed, Open)	Displays the status of the interlock. If <b>Open</b> is displayed, it indicates that the humidifier is stopped as a result of the interlock safety being open.	
	BinExtDemand:	0%	* (0%, 100%)	Displays whether there is currently a humidity demand, when an On/Off humidifier is used. <b>(Only appears when using an On/Off humidifier.)</b>	
	ControlInput:	Current value	* (min: 0.00%, max: 100.00%)	Displays the current control input reading.	
	RoomRH:	Current value	* (min: 0.00%, max: 100.00%)	Displays the room humidity reading value. <b>(Only appears if ControlProfile is set to InternAnalog or RoomRHSrc is set to RoomRH.)</b>	
	SupplyHLRH:	Current value	* (min: 0.00%, max: 100.00%)	Displays the supply high limit humidity reading value. <b>(Only appears if ModHLProfile is set to InternAnalog or SupplyHLReadingSrc is set to SupplyHLRH.)</b>	



Sub-Menu	Setting	Default	Range (* indicates no configuration: display only)	Description/Notes
Physical IO	WtrLeakDet:	Ok	* (Ok, Leak)	Displays whether a water leak has been detected. If <b>Leak</b> is displayed, it indicates that there is a leak within the water line.
	WtrLvlLow:	Current value	* (Inactive, Active)	Displays the status of the resistive low water level sensor.
	WtrLvlHigh:	Current value	* (Inactive, Active)	Displays the status of the resistive high water level sensor.
	WaterTemp:	Current value	* (min: 0.00°C, max: 125.00°C) Units: C, F	Displays the temperature of water in the evaporation chamber.
	FoamSensor:	NoFoam	* (NoFoam, Foam)	Displays whether foam has been detected within the evaporation chamber. If <b>Foam</b> is displayed, it indicates that the Anti-Foaming Energy Conservation (AFEC) system has detected foam. The humidifier will drain for a few minutes and return to normal operation.
	ThermalCutout:	Closed	* (Closed, Open)	Displays the status of the high temperature switch. If <b>Open</b> is displayed, it indicates that an abnormal temperature has been sensed.
	SSRTemp:	Current value	* (min: -20.00°C, max: 100.00°C) Units: C, F	Displays the temperature measured on the solid-state relay.
	CabinetTemp:	Current value	* (min: -20.00°C, max: 100.00°C) Units: C, F	Displays the temperature measured inside of the cabinet. <b>(Only appears for units with the weather proof enclosure.)</b>
	CurrentSensor1:	Current value	* (min: 0A, max: 150A)	Displays the measured electric current in the first current sensor. <b>(Only appears when using a current sensor.)</b>
	CurrentSensor2:	Current value	* (min: 0A, max: 150A)	Displays the measured electric current in the second current sensor. <b>(Only appears when using two current sensors.)</b>
	ContactorsFuse:	Normal	* (Normal, Blown Fuse)	Displays the current status of the PCB fuse. If <b>Blown Fuse</b> is displayed, the fuse must be replaced.
	PowerOutFdbck:	Current value	* (min: 0.00%, max: 100.00%)	Displays the feedback value of power output analog output.
	AlarmWarmRelay:	Current value	* (Off, On)	Displays the status of the alarm warning relay.
	ServiceWarmRelay:	Current value	* (Off, On)	Displays the status of the service warning relay.
	WtrLvlValve:	Current value	* (Off, On)	Displays the status of the water level sensor supply valve.
	TankWtrValve:	Current value	* (Off, On)	Displays the status of the evaporation chamber water supply valve.
	DrainCoolValve:	Current value	* (Off, On)	Displays the status of the internal drain cooler valve.
	DrainPump:	Current value	* (Off, On)	Displays the status of the drain pump.
	DrainValve:	Current value	* (Off, On)	Displays the status of the normally open drain valve. <b>(Only appears for units with the weather proof enclosure.)</b>
	MainContactor:	Current value	* (Off, On)	Displays the status of the main contactor.
	HeaterStage1:	Current value	* (Off, On)	Displays the status of the first stage contactor. <b>(Only appears based on humidifier model and configurations.)</b>
	HeaterStage2:	Current value	* (Off, On)	Displays the status of the second stage contactor. <b>(Only appears based on humidifier model and configurations.)</b>
	HeaterStage3:	Current value	* (Off, On)	Displays the status of the third stage contactor. <b>(Only appears based on humidifier model and configurations.)</b>
SDUFan:	Current value	* (Off, On)	Displays the status of the SDU fan. <b>(Only appears for humidifiers having the SDU option.)</b>	
HeaterSSRStage:	Current value	* (min: 0.00%, max: 100.00%)	Displays the heater vernier stage output value.	
WaterLevel:	Current value	* (min: 0.0%, max: 120.0%)	Displays the percentage of water remaining in the evaporation chamber.	



Sub-Menu	Setting	Default	Range (* indicates no configuration: display only)	Description/Notes
<b>System</b>	SysStatus:	Operational	* (Operational, Operational Read-Only, Download required, Download in progress, Non-operational, Backup in progress)	Displays the current system status.
	Vendor:	Neptronic	*	Displays the name of the vendor of the product. (Always Neptronic)
	Model:	-	*	Displays the humidifier model name.
	CoreVersion:	1.06.201908231329	*	Displays the current firmware core version.
	AppVersion:	1.06.20191018	*	Displays the current application software version.
	SerialNo:	-	*	Displays the serial number of the humidifier.
	Profile:	-	*	Displays a short profile for the configured device.
	MCULoad:	Current value	* (min: 0.0%, max: 100.0%)	Displays the current microcontroller load.
	MemoryLoad:	Current value	* (min: 0.0%, max: 100.0%)	Displays the current memory load.
	Runtime:	Current value	* (min: 0 sec, max: 999999999 sec)	Displays the number of seconds that the system has been powered on. This value is reset every time the system is shut off.
	ResetReason:	None	* (None, BOR, Pin, POR, Soft, IWDG, WWDG, LPWR, Unknown)	Displays the reason for the previous system reset: None = No Reset; BOR = Brownout Reset; Pin = Pin Reset (Using PCB Reset Button); POR = Power-on Reset; Soft = Software Reset; IWDG = Independent Watchdog; WWDG = Windowed Watchdog; LPWR = Low Power Reset; Unknown = Unknown Cause

**Menu - User Settings [Level 2 - Requires level 2 (or higher) password in order to access]**

Sub-Menu	Setting	Default	Range	Description/Notes
<b>Command</b>	OccupSchedule:	-	00:00 Monday to Sunday Event 1 to Event 6	Create a customized occupancy schedule with up to six events per day.
	<b>RoomDemandLoop [3]</b>			<b>Only appears if ControlProfile is set to an internal control mode or HumCntrl/DemandSrc is set to RoomDemand.</b>
<b>Control</b>	RoomRHStp:	40.00%	min: 0.00%, max: 100.00%	Define the room demand setpoint value used during <i>Occupied</i> state.
	RoomRHUnocStp:	30.00%	min: 0.00%, max: 100.00%	<b>Only appears if RoomRHStpSrc is set to Internal.</b>
	RoomRHVacStp:	20.00%	min: 0.00%, max: 100.00%	Define the room demand setpoint value used during <i>Vacant</i> state.
<b>SupplyHLLoop [1]</b>				<b>Only appears if ModHLProfile is set to an internal control mode or HumCntrl/HLSrc is set to SupplyHLDemand.</b>
	SupplyHLStp:	80.00%	min: 0.00%, max: 100.00%	Define the supply high limit demand setpoint value.
<b>System</b>	UTCOffset:	-300min	min: -720min, max: 720min	Configure the value of the UTC offset.
	DaylightSavings:	No	No, Yes	Select whether to enable daylight savings or not.
	LocalDateTime:	YYYY-MM-DD 00:00:00		Configure the current date and time.
	<b>LocalDisplay [5]</b>			
<b>Interface</b>	BacklightLvl:	25%	min: 0%, max: 100%	Select the backlight level of the LCD screen.
	Contrast:	10%	min: 0%, max: 30%	Select the contrast level of the LCD screen.
	KeypadBuzzer:	Inactive	Inactive, Active	Select whether to enable or disable the key press sound.
	Language:	English	(Language options vary based on region.)	Select the device language.
	Units:	Metric	Metric, Imperial	Select whether to use a metric or imperial system of units for the local device.
<b>HRL [3]</b>				<b>For units connected to the HRL24 controller.</b>
	Temperature:	Current value	* (min: -40.00°C, max: 260.00°C) Units: C, F	Displays the room temperature value measured by the HRL24 controller.
	Humidity:	Current value	* (min: 0.00%, max: 100.00%)	Displays the room humidity value measured by the HRL24 controller.
	LockSetpnt:	Unlock	Unlock, Lock	Displays whether the setpoint obtained from the HRL24 controller can be modified or not.



**Menu - Service [Level 3 - Requires level 3 (or higher) password in order to access]**

Sub-Menu	Setting	Default	Range (* indicates no configuration; display only)	Description/Notes
<b>Status</b>	RunTime:	0.00hr	*	Displays the total runtime of the unit.
	OnTime:	0.00hr	*	Displays the total operating time of the unit.
	ServRunTime:	0.00hr	*	Displays the runtime of the unit, since the last servicing.
	ServOnTime:	0.00hr	*	Displays the operating time of the unit, since the last servicing.
	ServiceDue:	Off	* (Off, On)	Displays whether the humidifier is due for servicing.
<b>Command</b>	DrainSchedule:	-	00:00 Monday to Sunday Event 1 to Event 6	Create a customized draining schedule with up to six events per day.
	Request:	None	None, ResetAlarms, Drain, ResetCounters, Filling, WaterCalib	Perform one of the following actions for the humidifier: reset service counters, initiate a drain cycle, reset warning alarms, fill the evaporation chamber or calibrate the water level sensor.

### Menu - Installation [Level 4 - Requires level 4 (or higher) password in order to access]

Sub-Menu	Setting	Default	Range	Description/Notes
<b>Quick Config</b>	DrainInterval:	6hr	min: 0hr, max: 24hr	Set the frequency of the drain cycle. In general, a more frequent drain cycle is required as the water hardness level rises. The drain cycle setting does not affect the AFEC system.
	IdleTime:	24hr	min: 0hr, max: 72hr	Set the amount of time the humidifier can remain in standby mode until an automatic drain cycle is performed.
	BlowdownRate:	0%	min: 0%, max: 100%	Define the rate of boiler blowdown or water dilution, in order to minimize water impurities.
	ServInterval:	1000hr	min: 1000hr, max: 3000hr	Set the time of operation before the humidifier calls for servicing.
	ServOperation:	Allowed	Not Allowed, Allowed	Select whether to enable the unit to continue producing steam, even when it is due for servicing. When set to <i>Allowed</i> , the unit will continue operating even when a service alarm is active.
	FillMode:	Pulsed	OneShot, Pulsed	Select the water filling method for the fill valve: When set to <i>OneShot</i> , water will continuously flow. When set to <i>Pulsed</i> , water will flow in short bursts.
	ControlProfile:	ExternAnalog	ExternAnalog, ExternNetwork, InternAnalog, InternNetwork, HRL, Custom	Select a preconfigured control mode profile for the modulating humidity demand. Select the <i>Custom</i> option to configure individual settings. <b>(Network option only applicable for BACnet models.)</b>
	ModHLProfile:	Disabled	Disabled, ExternAnalog, ExternNetwork, InternAnalog, InternNetwork, Custom	Select a preconfigured control mode profile for the modulating high limit demand. Select the <i>Custom</i> option to configure individual settings. <b>(Network option only applicable for BACnet models.)</b>
	<b>RoomDemandLoop</b>	<b>[2]</b>		<b>Only appears if ControlProfile is set to an internal control mode or HumCntrlDemandSrc is set to RoomDemand.</b>
	<b>Control</b>	RoomRHSrc:	None	None, RoomRH, Network
RoomRHStpSrc:		None	None, Internal, ControllInput	Select the room demand setpoint source. <b>Only appears if ModHLProfile is set to an internal control mode or HumCntrlHLSrc is set to SupplyHLDemand.</b>
SupplyHLReadingSrc:		None	None, SupplyHLRH, Network	Select the reading source for the supply high limit demand. <b>(Network option only applicable for BACnet models.)</b>
SupplyHLStpSrc:		None	None, Internal, ControllInput	Select the supply high limit demand setpoint source. <b>Only appears if ControlProfile or ModHLProfile are set to InternNetwork or ExternNetwork.)</b>
<b>HumidityControl</b>		<b>[5]</b>		
HumLowDeadBand:		1.00%	min: 0.00%, max: 100.00%	Set the lower limit deadband value for the humidity demand.
NtwkTimeout:		900sec	min: 1sec, max: 900sec	Define the amount of time the humidifier may attempt to connect to the BACnet or Modbus network before it stops operating due to a communication error. <b>(Only appears if ControlProfile or ModHLProfile are set to InternNetwork or ExternNetwork.)</b>
HumCntrlDemandSrc:		ControllInput	None, ControllInput, RoomDemand, Network	Select the humidity control demand source for modulating humidifiers. <b>(Network option only applicable for BACnet models.)</b>
HumCntrlHLSrc:		None	None, ControllInput, SupplyHLDemand, Network	Select the humidity control high limit source for modulating humidifiers. <b>(Network option only applicable for BACnet models.)</b>
HumCntrlBinDemandSrc:		None	None, BinaryExtDemand	Select the humidity control demand source for On/Off humidifiers.
<b>Physical IO</b>	AlwaysRoomRH:	Off	Off, On	Select whether to always display the RoomRHStp Type setting, regardless of the configuration selected in the ControlProfile setting.
	AlwaysSupplyRH:	Off	Off, On	Select whether to always display the SupplyRHStp Type setting, regardless of the configuration selected in the ModHLProfile setting.
	CntrlSigType:	0-10Vdc	0-10Vdc, 2-10Vdc, 4-20mA, 0-20mA	Select the signal type for the control demand analog input.

Sub-Menu	Setting	Default	Range	Description/Notes
Physical IO	RoomRHSigType:	0-10Vdc	0-10Vdc, 2-10Vdc, 4-20mA, 0-20mA	Select the signal type for the room humidity analog input. <b>(Only appears if ControlProfile is set to InternAnalog or RoomRHSrc is set to RoomRH.)</b>
	SupplyRHSigType:	0-10Vdc	0-10Vdc, 2-10Vdc, 4-20mA, 0-20mA	Select the signal type for the duct or supply high limit humidity analog input. <b>(Only appears if ModHLProfile is set to InternAnalog or SupplyHLReadingSrc is set to SupplyHLRH.)</b>
System	ResetFactory:	No	No, Yes	Select Yes in order to reset the humidifier back to its original factory configuration settings. <b>WARNING: There is no way to recover previous configurations once the device has been reset.</b>
	InstallationDate:	YYYY/MM/DD		Set the device installation date.
Extended Config	AlarmBuzzer:	Disabled	Normal, Disabled	Select whether to enable or disable the alarm buzzer sound whenever there is a system warning. This will not affect the Status Display LED.
	SysLogLevel:	Debug	None, Emergency, Alert, Critical, Error, Warning, Notice, Info, Debug	Select the type of information to be stored on log file. <b>(The humidifier must be connected to an SD card.)</b>
	InhibitResProbe:	No	No, Yes	Select whether or not to disable the resistive water level sensor probes. When performing a manual calibration procedure for the water level sensor, this setting must be set to Yes.
	FanOffDelay:	5min	min: 5min, max: 20min	Set the delay time after which the SDU fan will close once it is no longer needed. <b>(Only applicable for humidifiers having the SDU option.)</b>
	FanTgt:	None	None, SDUFan	Select whether to enable or disable the SDU option. If set to None, the SDU will not operate. <b>(Only applicable for humidifiers having the SDU option.)</b>
	MinSteamOut:	5%	min: 1%, max: 25%	Set the minimum steam production demand value, below which no steam will be produced.
	DrainInterval:	6hr	min: 0hr, max: 24hr	Set the frequency of the drain cycle. In general, a more frequent drain cycle is required as the water hardness level rises. The drain cycle setting does not affect the AFEC system.
	DrainVolume:	100%	min: 25%, max: 100%	Define the volume of water that is drained from the chamber, relative to the total capacity of the chamber.
	MaxOutput:	100%	min: 0%, max: 100%	Set the maximum steam output of the humidifier relative to its total capacity. <b>(Only applicable for modulating humidifiers.)</b>
	IdleTime:	24hr	min: 0hr, max: 72hr	Set the amount of time the humidifier can remain in standby mode until an automatic drain cycle is performed.
	IdleTempStpnt:	0°C	min: 0°C, max: 60°C Units: C, F	Set the idle temperature setpoint value for the evaporation chamber when there is no demand.
	BlowdownRate:	0%	min: 0%, max: 100%	Define the rate of boiler blowdown or water dilution, in order to minimize water impurities.
	ServInterval:	1000hr	min: 1000hr, max: 3000hr	Set the time of operation before the humidifier calls for servicing.
	IdleRinseInterval:	3day	min: 1day, max: 7day	Set the amount of time the humidifier stays in "idle" or "Off" mode, before the evaporation chamber undergoes an automatic rinse cycle.
WtrLvReplace:	7day	min: 0day, max: 7day	Set the amount of time the humidifier may run using only the resistive water level probes, if there is an issue with the capacitive probe, before an alarm message is displayed.	
ServOperation:	Allowed	Not Allowed, Allowed	Select whether to enable the unit to continue producing steam, even when it is due for servicing. When set to Allowed, the unit will continue operating even when a service alarm is active.	
FillMode:	Pulsed	OneShot, Pulsed	Select the water filling method for the fill valve. When set to OneShot, water will continuously flow. When set to Pulsed, water will flow in short bursts.	



## SKE4-E Steam Humidifier

### Installation Instructions and User Manual

Sub-Menu	Setting	Default	Range	Description/Notes
<b>Extended Config</b>	IdleRinseOn:	Off	Off, On	Select whether to enable automatic rinse cycles while the humidifier is turned on and remains in "Idle" or stand-by mode. To select the amount of time the humidifier remains inactive before a rinse cycle is performed, configure the value of the <i>IdleRinseInterval</i> setting.
	IdleRinseOff:	Off	Off, On	Select whether to enable automatic rinse cycles while the humidifier is turned off and remains inactive. To select the amount of time the humidifier remains inactive before a rinse cycle is performed, configure the value of the <i>IdleRinseInterval</i> setting.
	WtrAutoCalib:	Always	None, Once, Always	Select the frequency of the auto calibration setting for the water level sensor.
	StartupRinse:	Off	Off, On	Select whether to perform an automatic rinse cycle upon each start-up of the humidifier.

### Menu - Integration [Level 5 - Requires level 5 password in order to access]

Sub-Menu	Setting	Default	Range (* indicates no configuration; display only)	Description/Notes
<b>Network</b>	NtwrkOption:	BACnet	BACnet, Modbus	Select whether to connect to a BACnet MS/TP or Modbus RTU communication interface on terminal TB2 of the humidifier PCB.
	<b>Device [4]</b>			
	DeviceName:	-		Establish a name for the device.
	Location:	-		Establish a designated location for the unit.
	Description:	-		Establish a brief description for the unit.
	DeviceInstance:	0153001 (0x000255a9)		Define the device instance value.
	<b>HTTPServer [1]</b>			
	HttpServerUnits:	Metric	Metric, Imperial	Select whether to use a metric or imperial system of units for the web server.
	<b>BACnetServer [3]</b>			<b>For models connected to the BACnet network.</b>
	Language:	English	(Language options vary based on region.)	Select the language for the BACnet server.
	ListMode:	Integrator	Integrator, Advanced, Factory	Select the category of BACnet objects to display.
	Units:	Metric	Metric, Imperial	Select whether to use a metric or imperial system of units for the BACnet server.
	<b>BACnetMSTP [10]</b>			<b>Only appears if NtwrkOption is set to BACnet.</b>
	MaxMaster:	127	min: 1, max: 127	Configure MaxMaster value to increase network efficiency when there are less than 127 devices on the network. For optimal efficiency, set value to the highest MAC address in the MS/TP network.
	MaxInfoFrames:	1	min: 1, max: 100	Configure the maximum number of information messages the controller may transmit, before it must pass the token to the next controller.
AutoBaud:	Yes	No, Yes	Enable or disable automatic baud rate detection.	
BaudRate:	38400	9600, 19200, 38400, 76800	Select the baud rate for data transfer.	
MAC:	001		Set the MS/TP network MAC address.	
RxValid:	0	*	Displays information on the received communication frames for troubleshooting purposes.	
RxInvalid:	0	*		
RxLost:	0	*		
Tx:	0	*	Displays information on the transmitted communication frames for troubleshooting purposes.	
TxLost:	0	*		
<b>BACnetIP [6]</b>			<b>For models connected to BACnet IP.</b>	
RxValid:	0	*	Displays information on the received communication frames for troubleshooting purposes.	
RxInvalid:	0	*		
RxLost:	0	*		
Tx:	0	*	Displays information on the transmitted communication frames for troubleshooting purposes.	
TxLost:	0	*		
BACnetIPPort:	47808	min: 0, max: 65535	Set the User Datagram Protocol (UDP) port number. BACnet port number is set by default.	





Sub-Menu	Setting	Default	Range (* indicates no configuration; display only)	Description/Notes
Network	<b>ModbusServer</b> [1]			<b>For models connected to Modbus.</b> Select whether to use a metric or imperial system of units for the Modbus server.
	Units:	Metric	Metric, Imperial	
	<b>ModbusRTU1In</b> [4]			<b>Only appears if NiwrkOption is set to Modbus.</b> Set the Modbus MAC address.
	IMAC:	1	min: 1, max: 247	
	Autobaud:	No	No, Yes	Enable or disable automatic baud rate detection.
	PortConfig:	No Parity, 2 Stop Bits	No Parity, 2 Stop Bits Even Parity, 1 Stop bit Odd Parity, 1 Stop bit	Select the Modbus communication port configuration.
	BaudRate:	19200	9600, 14400, 19200, 38400, 57600	Select the baud rate for data transfer.
	<b>BACnetETH</b> [5]			<b>For models connected to BACnet Ethernet.</b>
	RxValid:	0	*	Displays information on the received communication frames for troubleshooting purposes.
	RxInvalid:	0	*	
	RxLost:	0	*	
	Tx:	0	*	Displays information on the transmitted communication frames for troubleshooting purposes.
	TxLost:	0	*	
	<b>ModbusTCP0In</b> [2]			<b>For models connected to Modbus TCP/IP.</b>
	KeepAliveTimeOut:	5min	min: 1min, max: 1440min	Set the amount of time the communication stays open before connection is cut out, when no signal is received from the device.
	ListeningPort:	502	min: 0, max: 65535	Set the communication port number. Modbus TCP port number is set by default.
	<b>SMTP</b> [7]			
	SSL:	Off	Off, On	If turned on, a secure socket layer will be used to encrypt the communication between the device and the email server (Port value must be set to 587 and Username and Password settings must be filled out). If turned to Off, the default socket will be used (use Port 25 to use server without login account or Port 587 if login details for email account have been entered).
	Port:	25	25, 587	If set to 25, server to server email transfer is enabled (can only be used if SSL is set to Off). If set to 587, client to server email transfer is enabled.
	ServerAddr:	192.168.100.100		Configure the server IP address for the email account.
	From:	Current value		Set the email address that will be sending the humidifier notification messages.
	To:	Current value		Set the email address that will be receiving the humidifier notification messages.
Username:	Current value		Set the login username for the email account.	
Password:	Current value		Set the login password for the email account.	
<b>Notify</b> [3]				
Alarm:	Off	Off, On	If turned to On, then the humidifier alarm messages will be sent to the email configured in the SMTP sub-menu.	
Warning:	Off	Off, On	If turned to On, then the humidifier warning messages will be sent to the email configured in the SMTP sub-menu.	
AppMsg:	Off	Off, On	If turned to On, then the humidifier event messages will be sent to the email configured in the SMTP sub-menu.	



Sub-Menu	Setting	Default	Range	Description/Notes	
<b>Communication</b>	<b>IPSettings [10]</b>		(* indicates no configuration; display only)		
	DHCP:	Inactive	Inactive, Active	Select whether to enable Dynamic Host Configuration Protocol (DHCP) to automatically provide an IP address.	
	RstIPSetting:	No	No, Yes	Select whether to restart the IP module, in order to allow recent parameter modifications to be effective.	
	StaticAddress:	192.168.1.100		Configure the static IP address.	
	StaticSubnetMask:	255.255.255.0		Configure the static subnet mask.	
	StaticDefaultGateway:	192.168.0.100		Configure the static default gateway.	
	StaticDnsServer:	192.168.10.50		Configure the static DNS server.	
	ActualAddress:	Current value	*	Displays the actual IP address.	
	ActualSubnetMask:	Current value	*	Displays the actual subnet mask.	
	ActualDefaultGateway:	Current value	*	Displays the actual default gateway.	
	ActualDnsServer:	Current value	*	Displays the actual DNS server.	
	<b>ETHSettings [1]</b>				
	EthernetMacAdd:	Current value	*	Displays the MAC address of the Ethernet interface. <b>(Only applicable if using an Ethernet connection.)</b>	



## List of Alarms

Table 14 - List of Alarms

Display	Description	Alarm Reset
AirFlow	Indicates that the airflow sensor is open. Verify that the signal from the airflow sensor is present at the controller's input on the PCB and verify wiring.	Automatic
SupplyHighLimit	Indicates that the high limit item is open. Verify that the signal from the supply high limit sensor is present at the controller's input on the PCB and verify wiring.	Automatic
Interlock	Indicates that the interlock and the cut-out circuitry are open. Verify that the signal from the interlock sensor is present at the controller's input on the PCB and verify wiring.	Automatic
HighLimitCutout	Indicates that the high limit cutout has been activated due to a humidity reading that exceeds the high limit setpoint. Ensure that the high limit humidistat is operating correctly and that the distance between the sensor and the steam dispersion manifold is sufficient (4.6 m).	Automatic
ThermalCutout	Indicates that the thermal cutout sensor is open. Verify that the signal from the thermal cutout sensor is present at the controller's input on the PCB and verify wiring. If that the high temperature switch has been activated due to an abnormal temperature reading, ensure that the humidifier is not operating below standard water level and verify the operation of the water level sensor.	Automatic
WtrLvlLow	Indicates that the resistive low water level sensor is defective or incorrectly wired. Check sensor and verify wiring.	Automatic
WtrLvlHigh	Indicates that the resistive high water level sensor is defective or incorrectly wired. Check sensor and verify wiring.	Automatic
WaterTemp	Indicates that the evaporation chamber water temperature sensor is defective or incorrectly wired. Check sensor and verify wiring.	Automatic
FoamSensor	Indicates that the foam cutout sensor is defective or incorrectly wired. Check sensor and verify wiring.	Automatic
SSRTemp	Indicates that the solid-state relay temperature sensor is defective or incorrectly wired. Check sensor and verify wiring.	Automatic
CabinetTemp	Indicates that the cabinet temperature sensor is defective or incorrectly wired. Check sensor and verify wiring. (Only applicable for humidifiers having the weatherproof option.)	Automatic
ContactorsFuse	Indicates that there is an issue with the printed circuit board fuse. Check the status of the fuse and replace it if defective.	Automatic
FanFault	Indicates that there is a problem with the SDU fan. Verify the signal and the operation of the SDU fan. (Only applicable for humidifiers having the SDU option.)	Automatic
MemoryCard	Indicates that the SD card has been detected, but it is not operating correctly or is non-functional. Verify the SD card and replace if defective.	Automatic
Foam (Warning)	If <i>Detected</i> is displayed, it indicates that the foam sensor has detected foam and the humidifier is now draining. Once the drain cycle has ended, the warning message will disappear.	Automatic
WaterLevel (Warning)	If <i>Calib</i> is displayed, it indicates that there is a calibration error with the water level sensor. Verify that the <i>WtrAutoCalib</i> setting is set to <i>Always</i> to ensure automatic calibration. If <i>Replace</i> is displayed, it indicates that the capacitive water level probe has drifted and the resistive probes have been activated until the capacitive probe is recalibrated. If the error persists, the warning message will change into the alarm message described below.	Automatic
WaterLevel (Alarm)	If <i>Defect</i> is displayed, it indicates that the water level sensor is defective or not working properly. Verify its operation and replace it if necessary.	Manual *
FailedPump	Indicates that there was an error during draining due to a pump failure. Verify that the drain pump is operating correctly and that it is not being hindered or obstructed.	Manual *
FillTimeout	Indicates that the water level sensor has not reached the desired value within the programmed delay. Verify and remove any obstructions in the water inlet line and verify that the shut-off valve is not closed.	Manual *
BlockedPiping	Indicates that there was an error during draining due to a blockage in the pipes. Verify and remove any obstructions in the piping and ensure that the drain outlet is not clogged.	Manual *
HeatTimeout	Indicates that the water temperature in the evaporation chamber has not reached the boiling point within the programmed delay. Verify the temperature of the supply water.	Manual *
Overheat	Indicates that the evaporation chamber temperature sensor has detected a temperature reading greater than or equal to 105°C. Verify the operation of the water level sensor and ensure that the water supply piping is not obstructed.	Manual *
WaterLeak	Indicates that a water leak has been detected. Verify the water line for signs of leaks and ensure that all piping and water connections have been properly installed and secured.	Manual *
TankBlocked	Indicates that there was an error while filling the evaporation chamber due to a blockage in the pipes. Verify and remove any obstructions in the piping and ensure that the water inlet is not clogged.	Manual *
RefillDelay	Indicates that the evaporation chamber has not been refilled with more water within the programmed delay after it has begun evaporating, due to a blockage in the pipes. Verify and remove any obstructions in the piping and ensure that the water inlet is not clogged.	Manual *



Display	Description	Alarm Reset
NtwkCtrlSt	Indicates that the communication attempt to the BMS server has exceeded the delay defined by the <i>Network Timeout</i> setting. Verify the wiring between the humidifier and the BACnet or Modbus network and ensure proper connection. (Only applicable for humidifiers having the BACnet or Modbus option).	Manual *
HRLState	Indicates that there is a communication error when attempting to connect to the HRL24 controller. Verify the wiring between the humidifier and the HRL24 and ensure that the controller is functioning properly. (Only applicable for humidifiers connected to the HRL24 controller).	Manual *
ServiceDue	Indicates that the due date for servicing the evaporation chamber has arrived. See Service section on page 62 for details.	Manual **

\* Use *Reset Alarms* function in *Request* setting (see page 51).

\*\* Use *Reset Counters* function in *Request* setting (see page 51).

## Start-up Procedure

---



**Initial verification and start-up must be carried out by suitably qualified personnel.**

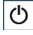


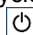
It is strictly recommended to follow this start-up procedure in order to avoid any anomaly resulting from inaccurate installation of the components. In case of any problems or discrepancies, consult the Troubleshooting section (see page 67).

### Initial Verification

<b>Clearance</b>	1. Ensure that the humidifier cabinet is installed in a location in which the humidifier can be serviced correctly.	<input type="checkbox"/>
<b>Electrical Supply</b>	2. Verify that the power supply (voltage) conforms to the appliance name plate on the side of the humidifier.	<input type="checkbox"/>
<b>Water Supply</b>	3. Confirm that 24Vac is present between terminals TB4 1&2 on the printed circuit board.	<input type="checkbox"/>
<b>Water Supply</b>	4. Ensure that water is supplied to the humidifier and that a shutoff valve is placed outside the humidifier.	<input type="checkbox"/>
<b>Water Supply</b>	5. With the water shutoff valve turned on, check that the drain connections are connected to the main drain line with sufficient diameter. Ensure that there are no apparent leaks.	<input type="checkbox"/>
<b>Water Supply</b>	6. Confirm that the drain piping is properly connected with a pitch of at least 6.5mm per 300mm horizontal run.	<input type="checkbox"/>
<b>Steam</b>	7. Verify that the steam distributors are properly installed into the ventilation duct or that the SDU is properly installed and connected to the humidifier.	<input type="checkbox"/>
<b>Steam</b>	8. Verify that the flexible steam hoses and rigid steam supply pipes are shorter than 5 m in total, are properly sloped and have condensation “S” traps wherever required.	<input type="checkbox"/>
<b>Steam</b>	9. Ensure that the Airflow switch is properly installed and connected to the printed circuit board. If an Airflow switch is not used, verify that a jumper is connected between terminals TB3 1&2.	<input type="checkbox"/>
<b>Steam</b>	10. Ensure that the High limit duct humidistat is properly installed and connected to the printed circuit board. Verify that the setpoint is properly adjusted. If a High limit duct humidistat is not used, verify that a jumper is connected between terminals TB3 1&3.	<input type="checkbox"/>
<b>Controls</b>	11. Ensure that the Interlock is properly connected to the printed circuit board. If the Interlock is not used, verify that a jumper is connected between terminals TB3 1&4.	<input type="checkbox"/>
<b>Controls</b>	12. If a room or duct humidistat is used, verify that it is correctly installed and properly connected to the humidifier. Verify that the setpoints are properly adjusted.	<input type="checkbox"/>
<b>Controls</b>	13. Turn the power on using the disconnect switch or circuit breaker.	<input type="checkbox"/>
<b>Controls</b>	14. Confirm the control set-up of the humidifier and verify that the setpoints are properly adjusted.	<input type="checkbox"/>

## Start-Up

---

- |                        |                                                                                                                                                                                                                                                                                                                                                                                                                                                                                                                                                                                                                                                                                                                                                                                                                                                                                                                                                                                                                                                                                                                                                                                                                                                                                                                                                                                                               |
|------------------------|---------------------------------------------------------------------------------------------------------------------------------------------------------------------------------------------------------------------------------------------------------------------------------------------------------------------------------------------------------------------------------------------------------------------------------------------------------------------------------------------------------------------------------------------------------------------------------------------------------------------------------------------------------------------------------------------------------------------------------------------------------------------------------------------------------------------------------------------------------------------------------------------------------------------------------------------------------------------------------------------------------------------------------------------------------------------------------------------------------------------------------------------------------------------------------------------------------------------------------------------------------------------------------------------------------------------------------------------------------------------------------------------------------------|
| <b>Start-up</b>        | <ol style="list-style-type: none"> <li>1. Proceed to start-up the humidifier, as follows:           <ol style="list-style-type: none"> <li>a) With the humidifier front access open, ensure that the manual drain valve is closed. <input type="checkbox"/></li> <li>b) Turn on the humidifier by pressing and holding the Power button  for 3 seconds. Verify that the controller Status Display LED is blue. <input type="checkbox"/></li> <li>c) Verify that there is a humidity demand displayed on the LCD screen of the humidifier. <input type="checkbox"/></li> <li>d) Ensure that the water supply valve connected to the humidifier is turned on and that water is flowing directly to the humidifier water supply inlet. Ensure that the water shut off valve is turned off. <input type="checkbox"/></li> <li>e) Verify the water level as water is filling the evaporation chamber by using the control panel to access the <i>WaterLevel</i> setting located in the <i>Physical I/O</i> sub-menu of the <i>General</i> menu. Ensure that there are no water leaks along the water line. <input type="checkbox"/></li> <li>f) Once the evaporation chamber has been filled, observe the system for water and steam leaks during several minutes of operation. <input type="checkbox"/></li> </ol> </li> </ol> |
| <b>Safety Test</b>     | <ol style="list-style-type: none"> <li>2. Check the location of the Airflow switch in the system and its operation by stopping the fan. With no air movement, the humidifier should automatically stop. <input type="checkbox"/></li> </ol>                                                                                                                                                                                                                                                                                                                                                                                                                                                                                                                                                                                                                                                                                                                                                                                                                                                                                                                                                                                                                                                                                                                                                                   |
| <b>Drain and Reset</b> | <ol style="list-style-type: none"> <li>3. Turn off the humidifier by pressing and holding the Power  button for 3 seconds. <input type="checkbox"/></li> <li>4. Conduct a drain cycle by pressing and holding the Drain button  for 3 seconds. Ensure that the evaporation chamber has been emptied. <input type="checkbox"/></li> <li>5. Once the drain cycle is complete, restart the humidifier by pressing and holding the Power  button for 3 seconds. <input type="checkbox"/></li> <li>6. Reset the Airflow switch if needed. <input type="checkbox"/></li> </ol>                                                                                                                                                                                                                                                                                                                                                                                                                                                                                                                                                                          |
| <b>End</b>             | <ol style="list-style-type: none"> <li>7. The humidifier is now ready for normal operation. <input type="checkbox"/></li> </ol>                                                                                                                                                                                                                                                                                                                                                                                                                                                                                                                                                                                                                                                                                                                                                                                                                                                                                                                                                                                                                                                                                                                                                                                                                                                                               |
-



## Service

---



**WARNING: Danger of hot water. Drain water before servicing.**

The humidifier requires regular periodic service to ensure efficient and trouble-free running. Regular service involves cleaning the evaporation chamber and its components manually. Generally, frequency of cleaning can range from two months to once a year, depending on the following factors:

- Quality of water
- Frequency of automatic drain cycles
- Demand placed on the humidifier

All SKE4 humidifiers are programmed for 1000 hours of operation. This is a default factory setting.

To view the number of hours the humidifier has run and the number of service hours, use the control panel to access the *Service Menu* (see page 51 for more details).

After 1000 hours of operation have passed, the Status Display LED on the control panel will turn red, indicating that the humidifier is due for servicing. Although the humidifier will continue to operate, it is imperative that service is performed as soon as possible, in order to ensure proper functionality.

## Cleaning the Evaporation Chamber

Cleaning the evaporation chamber involves the following steps:

**Stage 1 - Drain the Evaporation Chamber**

**Stage 2 - Shut Down the Electrical Supply**

**Stage 3 - Remove Additional Water Residue**



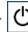

**Stage 4 - Remove and Clean the Evaporation Chamber**

**Stage 5 - Reinstall the Evaporation Chamber**

**Stage 6 - Restart the Humidifier**

### Stage 1 - Drain the Evaporation Chamber

Before commencing the cleaning procedure, ensure that the evaporation chamber is cool and comfortable enough to handle, as the evaporation chamber and its contents can be extremely hot and can cause burning. To allow the evaporation chamber to cool, initiate a drain cycle:

1. Press and hold the Power  button for 3 seconds to switch off the humidifier.
2. Press and hold the Drain button  for 3 seconds to initiate a drain cycle and empty the evaporation chamber.
3. Once the initial drain cycle is complete, a second drain cycle must be performed to cool down the chamber. Press and hold the Power  button for 3 seconds to turn on the humidifier and refill the evaporation chamber with water.
4. Once the chamber has been filled, press and hold the Drain button  once again for 3 seconds to empty the chamber.

At the end of the second drain cycle, check the temperature of the evaporation chamber. To check the temperature, open the front door of the humidifier and touch the chamber with the back of your hand. If necessary, repeat the above steps until the chamber is cool enough to handle.



### Stage 2 - Shut Down the Electrical Supply



**CAUTION: Risk of electric shock. The electric supply of the humidifier must be shut down. Disconnect the power at the External Breaker/Fused Disconnect before commencing servicing.**

Once the evaporation chamber is sufficiently cool, remove the power supply to the humidifier at the disconnect switch or the breaker.

### Stage 3 - Remove Additional Water Residue

1. Remove the plumbing compartment access panel and turn on the manual drain valve, in order to remove any water residue remaining in the silicone piping.



2. Uncouple the clamp connectors to let the evaporation chamber hang down, in order to remove additional water.



3. Once the additional water has stopped flowing down the evaporation chamber, recouple the clamp connectors to reconnect the chamber.







Stage 4 - Remove and Clean the Evaporation Chamber



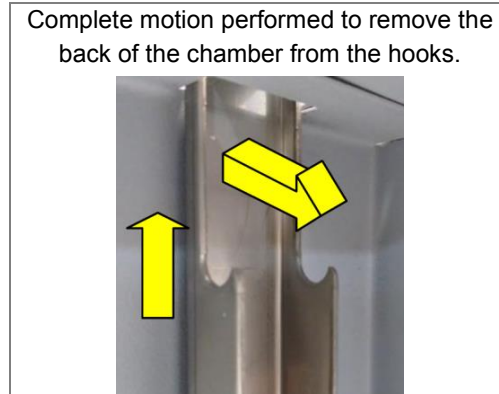
1. With the front access door removed, disconnect the water inlet attached to the front of the evaporation chamber, by removing the safety pins and manually disconnecting the hose shank coupling from the plumbing section of the humidifier. Connect and secure the water plug to the inlet in order to prevent water from leaking out from the evaporation chamber.

2. Uncouple the clamp connectors.

Model	Method
SKE4-E05 to SKE4-E40	Turn the two latches located around the evaporation chamber.
SKE4-E50 to SKE4-E80	Turn the three latches located around the evaporation chamber.
SKE4-E90 to SKE4-E120	Disengage the latch and remove the band clamp located around the evaporation chamber.

(For models SKE4-E90 to E120, skip ahead to step 5.)

3. Once the clamps have been uncoupled, the tank will hang loose on the hooks located behind the chamber. While the chamber is tilted, slightly lift the evaporation chamber upwards, by raising it from the bottom with one hand, and holding onto the handle with the other.
4. Pull the evaporation chamber towards you using the handle, until it is fully removed from the back hooks.



5. Slide the evaporation chamber down using the rail-guided engagement system.
6. Let the evaporation chamber hang at the edge of the rail-guided system (**only for models SKE4-E10 to E80**) or remove the chamber in order to begin cleaning.



The evaporation chamber will still contain a few inches of water. Ensure that your footing is secure when removing the chamber. Take extra precautions when removing the evaporation chamber from large humidifiers, which may feel heavy when being pulled down.

7. Clean the evaporation chamber:
  - Remove the residue that has accumulated inside the chamber.
  - To clean out the remaining scale from the container, use a stiff brush (synthetic filament only) and some vinegar or any weak acid suitable for cleaning stainless steel.



**WARNING: The use of a wire brush or any non-recommended acid will void the warranty.**

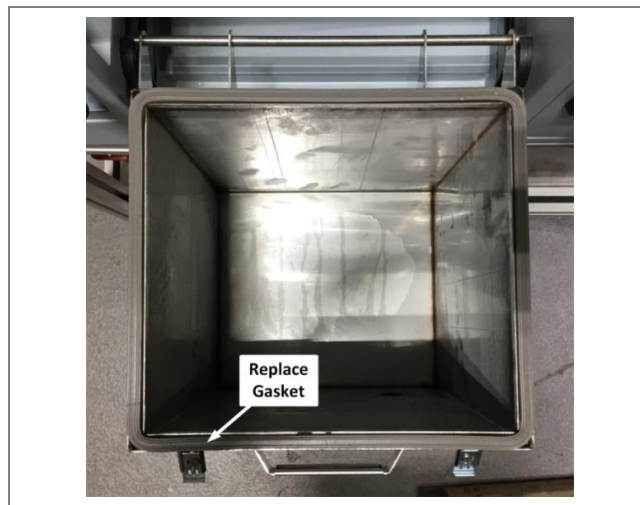
- Do not scrape off the walls of the chamber.
  - Ensure that the water inlet aperture is not blocked.
8. At the end of the maintenance procedure, replace the previous gasket attached to the top of the evaporation chamber with a new one.



The heating elements are self-cleaning. Any mineral accumulation breaks off and falls to the bottom during operation.







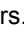
Contact your local Neptronic representative to order a new gasket. Refer to item 3 of the Bill of Material section for the appropriate part number.



### Stage 5 - Reinstall the Evaporation Chamber

1. Slide the evaporation chamber back up the rail-guided engagement system until it is secured back on top.
2. Recouple the clamp connectors.
3. Disconnect the water plug and reconnect the water inlet to the evaporation chamber.
4. Turn off the manual drain valve.
5. Turn the power back on at the disconnect switch or the breaker.

### Stage 6 - Restart the Humidifier

1. Press and hold the Power  button for 3 seconds to power on the humidifier.
2. Conduct a performance test by verifying the water level of the evaporation chamber as it is filled with water. Verify that there are no leaks.
3. Conduct a drain test by turning off the humidifier using the Power  button and performing a drain cycle using the Drain button .
4. Restart the humidifier to resume normal operation by pressing and holding the Power  button for 3 seconds.
5. To reset the service counters and clear the alarm warning after servicing:
  - a. Using the control panel, access the *Request* setting located in the *Command* sub-menu of the *Service* menu.
  - b. Select the *Reset Counters* value and press Enter  to reset the service counters.
6. Ensure that the drain cycles are set for every 6 hours of operation. This is the factory default setting and is recommended for city water.
  - To configure the drain cycle frequency, use the control panel to access the *DrainInterval* setting located in the *Quick Config* or *Extended Config* sub-menus of the *Installation* menu.

After the water boils for 6 hours in the chamber, it is laden with minerals and solutions. This affects the humidity output and the efficiency of the humidifier. Diluting the boiling water with a drain cycle will improve the performance of the humidifier.



## Troubleshooting

Table 15 - Troubleshooting Guide

<b>Problem</b>	<b>Possible Cause</b>	<b>Corrective Action</b>
<i>Humidifier does not operate (Screen turned Off)</i>	Power is not being supplied to the humidifier.	Check the main power supply and fuses. Verify the disconnect switch and the circuit breaker.
	The low voltage fuse is open.	Check the transformer and the low voltage fuse. Verify that the low voltage circuit is complete.
	Wire harnesses inside the humidifier are not secured properly.	Check the wires harnesses and the main PC board. Verify that all connections have been made properly.
<i>Humidifier does not operate (Screen turned On, Status Display LED: Off)</i>	The humidifier is not powered on.	Verify that the Power button has been pressed and held for 3 seconds for correct activation.
<i>Humidifier does not produce steam (No demand)</i>	<u>For modulating humidifier:</u> No analog signal detected.	Verify the setting of the control input.
	<u>For On/Off humidifier:</u> No demand from humidistat.	Verify the setting of the humidistat.
	Air flow is not detected by air pressure switch.	Check the fan operation.
	High limit humidistat is open.	Check the operation of the high limit humidistat.
	Interlock contact is open.	Check the interlock contact.
	Control wires are not properly secured to the terminal blocks.	Verify the connections of the wires to the control terminal blocks.
<i>No water inside the evaporation chamber or Humidifier does not stop draining</i>	Humidifier is being filled with water but has not yet reached or does not reach the high limit of the water level sensor.	- Verify that the drain valve is open. - Check if the shutoff valve on the water supply line is open. - Verify the operation of the fill valve.
	Humidifier is not being filled with water.	- Check that the fill valve strainer and the external strainer are not blocked.
<i>Humidifier does not drain</i>	Drain valve is clogged.	Check the drain valve.
	During a drain or foaming cycle, the water level sensor has sensed that the water level has not decreased.	Verify that the drain pump, the fill and drain water pipe connections and the water level sensor chamber are not obstructed.
<i>Humidifier is always on Foam cycle (FoamSensor setting displays Foam)</i>	Excessive foaming condition inside the evaporation chamber.	- Verify the quality of the supply water. - Verify if chemical products were used to clean the evaporation chamber during maintenance. Rinse the chamber properly with water. - Check the setting of the drain cycle. Reduce the time between drain cycles.
<i>Humidifier is operating and the Status Display LED is Red (ServiceDue setting displays On)</i>	The humidifier is due for servicing.	Service the evaporation chamber (see Service section on page 62). Use <i>Request</i> setting in <i>Service</i> menu to reset counters (see page 51).
<i>Humidifier is not operating and the Status Display LED is Red (ThermalCutout setting displays Open)</i>	The high temperature switch has sensed abnormal temperature.	Verify if the humidifier was operating below the standard water level. Replace water level sensor if necessary.
<i>Humidifier does not operate (Screen turned Off, Status Display LED: Blue)</i>	The following components can be the cause of this problem: water level sensor, PC board or LCD display.	Call factory for troubleshooting instructions.
<i>Humidifier is producing steam (Screen turned Off, Status Display LED: Blue)</i>	The display FFC cable is not connected properly.	Verify that the connections of the FFC cable are properly secured and are on the correct side.
	The LCD display is defective.	Replace the LCD display.



## Exploded View and Bill of Material

### Exploded View

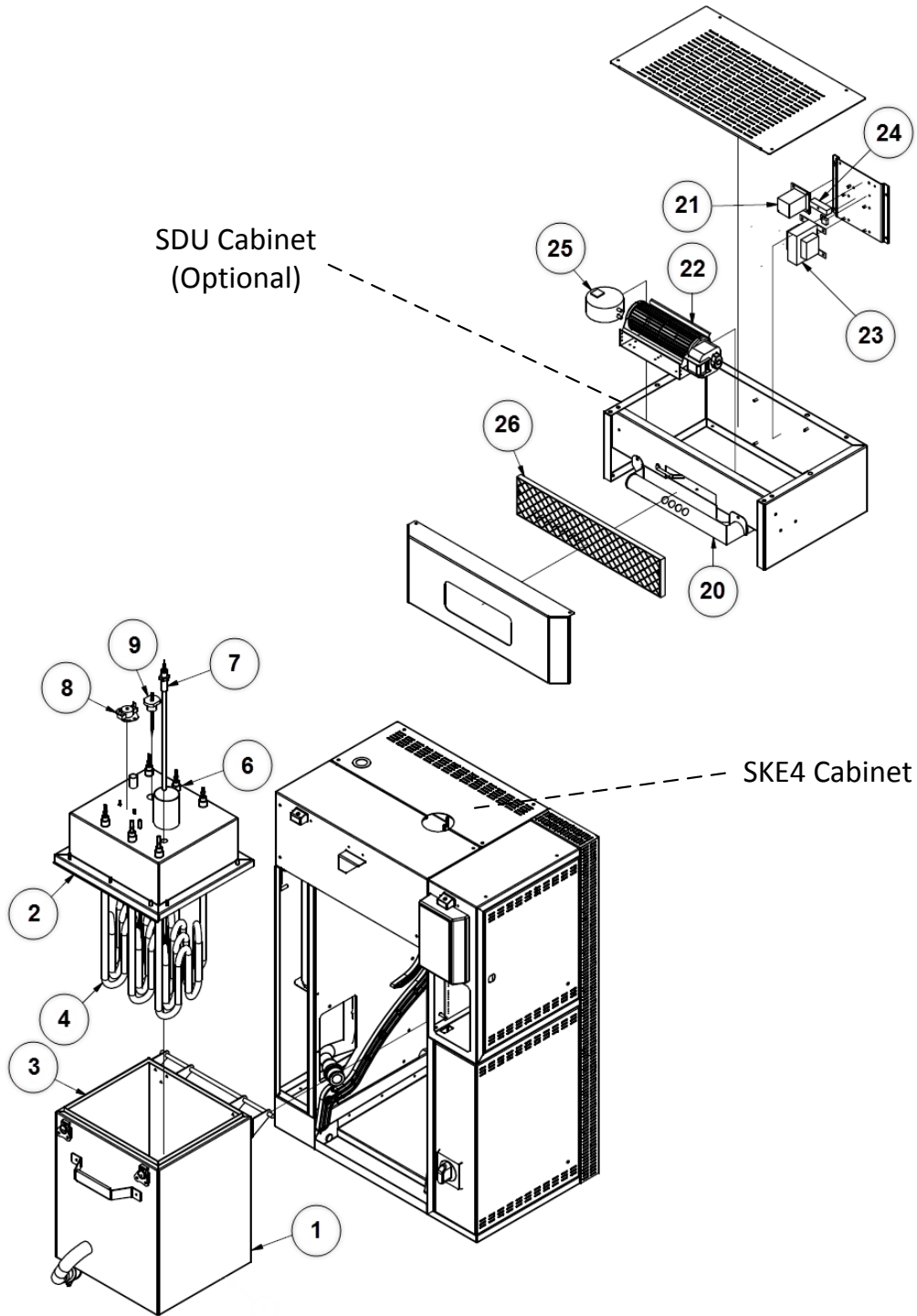


Illustration 52 - Exploded View Part 1



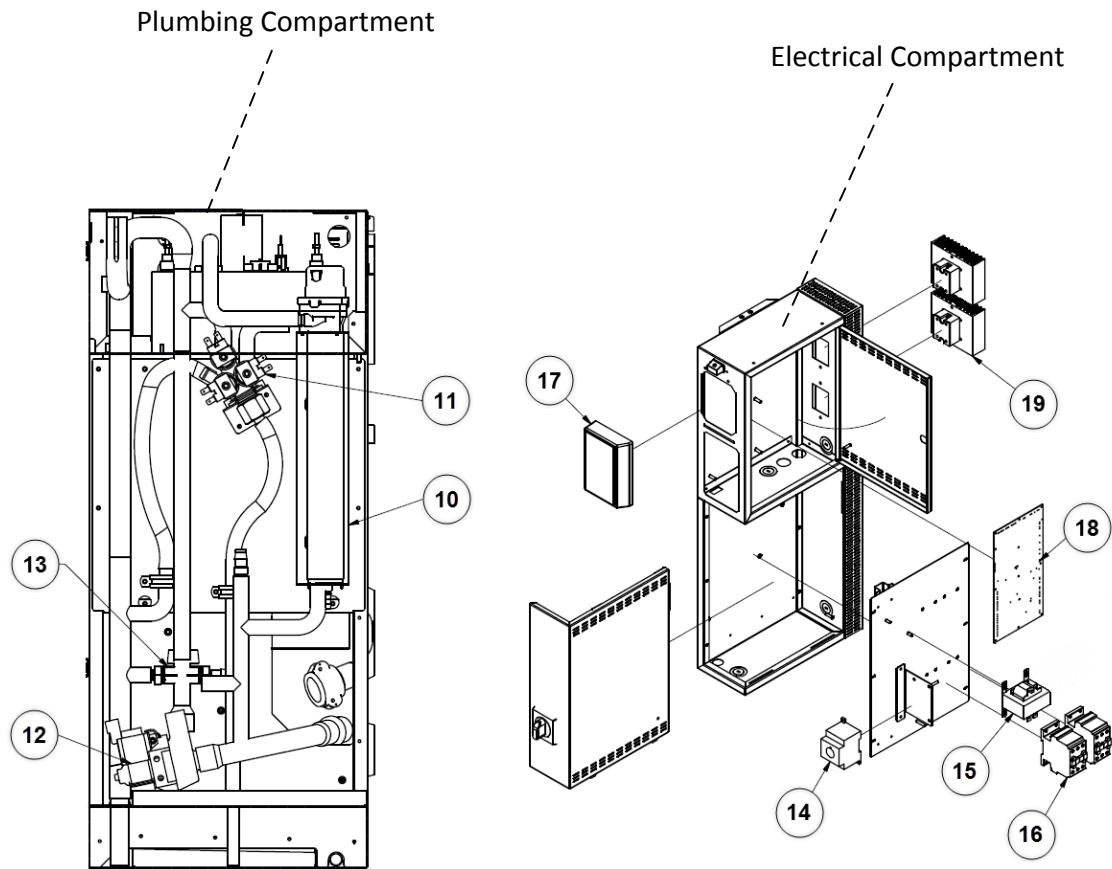


Illustration 53 - Exploded View Part 2

## Bill of Material

Table 16 - Bill of Material

<i>Item</i>	<i>Description</i>	<i>Model</i>	<i>Part Number</i>
<b>1</b>	Evaporation chamber container	SKE4-E05	SW 4222-20
		SKE4-E10 to SKE4-E40	SW 4232-20
		SKE4-E50 to SKE4-E80	SW 4242-20
		SKE4-E90 to SKE4-E120	SW 4253
<b>2</b>	Evaporation chamber cover	SKE4-E05 (1 phase)	SP 4222-1R
		SKE4-E05 (3 phases)	SP 4222-2R
		SKE4-E10	SP 4232-1R
		SKE4-E20 to SKE4-E40	SP 4232-2R
		SKE4-E50 to SKE4-E80	SP 4242-1R
		SKE4-E90 to SKE4-E100	SP 4251
<b>3</b>	Evaporation chamber gasket	SKE4-E110 to SKE4-E120	SP 4252
		SKE4-E05	SP 4222-8
		SKE4-E10 to SKE4-E40	SP 4232-8
<b>4</b>	Heating element	See table below	
<b>5</b>	Washer (heating element)	SKE4-E05 to SKE4-E120	SP 1005
<b>6</b>	S/S hex. jam nut (heating element)	SKE4-E05 to SKE4-E120	SP 2330
<b>7</b>	Temperature sensor	See table below	
<b>8</b>	High temperature switch (Klixon)	SKE4-E05 to SKE4-E120	SP 3036
<b>9</b>	Foam sensor	SKE4-E05	SW FOAMSM-ASSY
		SKE4-E10 to SKE4-E80	SW FOAMMED-ASSY
		SKE4-E90 to SKE4-E120	SW FOAMSM-ASSY
<b>10</b>	Water level sensor	See table below	
<b>11</b>	Water supply valve	SKE4-E05 to SKE4-E120	SP 6009
<b>12</b>	Drain pump	SKE4-E05 to SKE4-E120	SP G4101
<b>13</b>	Drain valve	SKE4-E05 to SKE4-E120	SP 4233-59
<b>14</b>	Disconnect switch	See table below	
<b>15</b>	Transformer	See table below	
<b>16</b>	Contactors	See table below	
<b>17</b>	Alphanumeric display	SKE4-E05 to SKE4-E120	SW SKE4DISPLAY-AS
		SKE4-E05W to SKE4-E120W	SW SKE4DISPLAY2
<b>18</b>	Printed circuit board	SKE4-E05 to SKE4-E120	NW SKE4MAINSS
		SKE4-E05W to SKE4-E120W	NW SKE4MAINWSS
<b>19</b>	Solid-state relay	SKE4-E05 to SKE4-E120	SP 3102
<b>20</b>	SDU steam dispersion manifold	SDU4-1	SW 4134
		SDU4-2	SW 4135
		SDU4-3	SW 4136
<b>21</b>	SDU relay	SDU4-1, SDU4-2 & SDU4-3	SP 3114
<b>22</b>	SDU fan	SDU4-1	SP 3012
		SDU4-2	SP 3009
		SDU4-3	SP 3014
<b>23</b>	SDU transformer	See table below	
<b>24</b>	Fuse inside SDU	SDU4-1, SDU4-2 & SDU4-3	SP 5105
<b>25</b>	SDU airflow switch	SDU4-1, SDU4-2 & SDU4-3	SW PSA1
<b>26</b>	SDU plastic grill	SDU4-1, SDU4-2 & SDU4-3	SP 4131-11



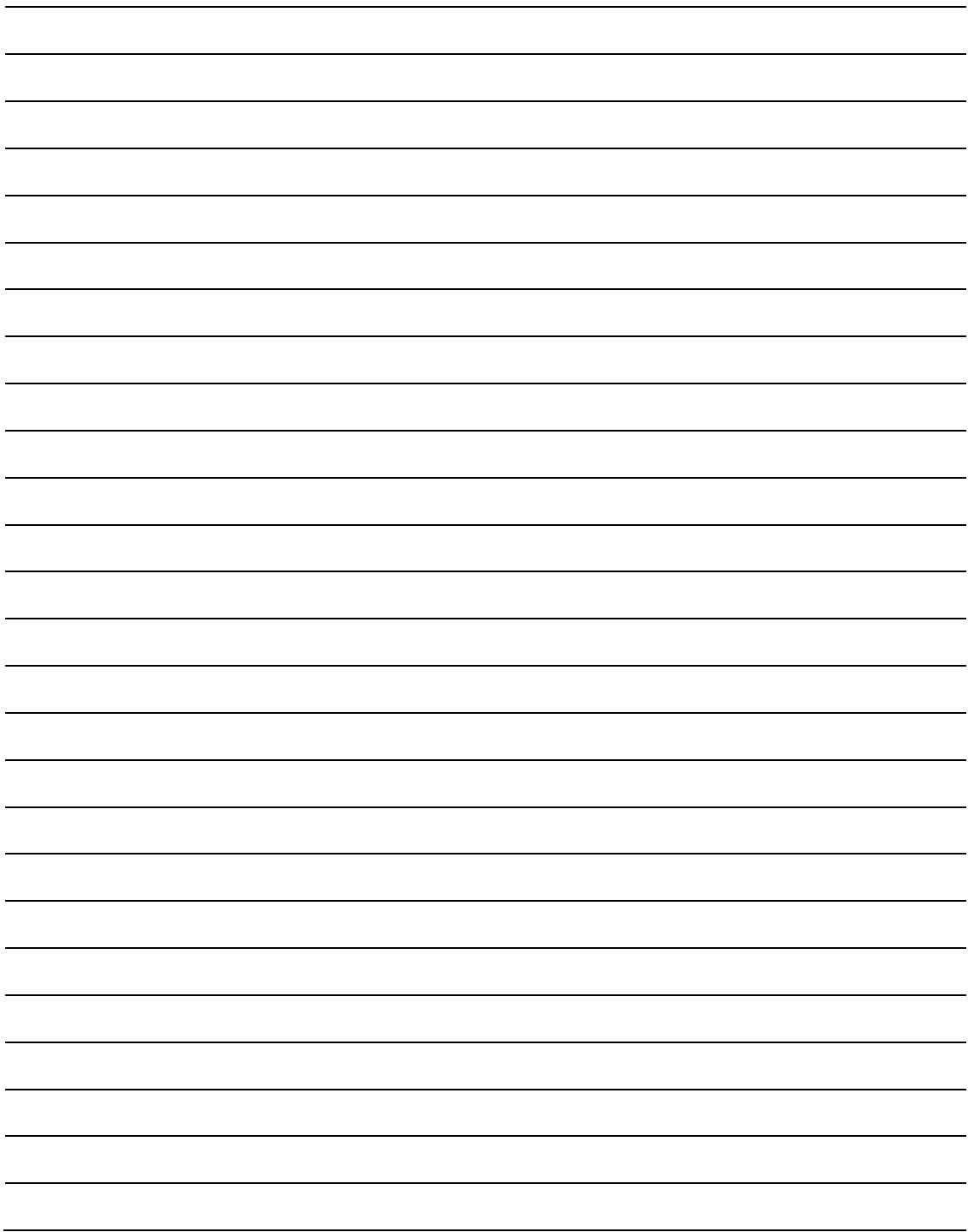
Table 17 - Additional Bill of Material Details

<b>Model</b>	<b>4</b> Heating element	<b>7</b> Temperature sensor	<b>10</b> Water level sensor	<b>14</b> Disconnect switch	<b>15</b> Transformer	<b>16</b> Contactor	<b>23</b> SDU transformer	
<b>SKE4-E05</b>	230V/1	SW 5937	SW SK4TEMPESENS-6	SW SK4WLTR1-HEAD	DP13-3004	SP 3365	SP 3080	-
	400V/3	SW 5980 (3x)	SW SK4TEMPESENS-6	SW SK4WLTR1-HEAD	DP13-3004	SP 3374	DP11-6002	SP 3373
<b>SKE4-E10</b>	230V/1	SW 5983 (3x)	SW SK4TEMPESENS-12	SW SK4WLTR2-HEAD	DP13-3005	SP 3365	SP 3100	SP 3375
	400V/3	SW 5981-2 (3x)	SW SK4TEMPESENS-12	SW SK4WLTR2-HEAD	DP13-3004	SP 3374	SP 3080	SP 3373
<b>SKE4-E20</b>	400V/3	SW 5982-2 (3x)	SW SK4TEMPESENS-12	SW SK4WLTR2-HEAD	DP13-3004	SP 3374	SP 3080	SP 3393
<b>SKE4-E30</b>	400V/3	SW 5983 (3x)	SW SK4TEMPESENS-12	SW SK4WLTR2-HEAD	DP13-3005	SP 3374	SP 3100	SP 3393
<b>SKE4-E40</b>	400V/3	SW 5955 (3x)	SW SK4TEMPESENS-12	SW SK4WLTR2-HEAD	DP13-3005	SP 3374	SP 3100	SP 3393
<b>SKE4-E50</b>	400V/3	SW 5984 (6x)	SW SK4TEMPESENS-12	SW SK4WLTR2-HEAD	DP13-3005	SP 3374	SP 3080 (2x)	-
<b>SKE4-E60</b>	400V/3	SW 5983 (6x)	SW SK4TEMPESENS-12	SW SK4WLTR2-HEAD	DP13-3006	SP 3374	SP 3100 (2x)	-
<b>SKE4-E80</b>	400V/3	SW 5955 (6x)	SW SK4TEMPESENS-12	SW SK4WLTR2-HEAD	DP13-3006	SP 3374	SP 3100 (2x)	-
<b>SKE4-E90</b>	400V/3	SW 5983 (9x)	SW SK4TEMPESENS-12	SW SK4WLTR2-HEAD	DP13-3006	SP 3385	SP 3100 (3x)	-
<b>SKE4-E100</b>	400V/3	SW 5983 (6x) SW 5955 (3x)	SW SK4TEMPESENS-12	SW SK4WLTR2-HEAD	DP13-3008	SP 3385	SP 3100 (3x)	-
<b>SKE4-E110</b>	400V/3	SW 5955 (6x) SW 5983 (3x)	SW SK4TEMPESENS-12	SW SK4WLTR2-HEAD	DP13-3008	SP 3385	SP 3100 (3x)	-
<b>SKE4-E120</b>	400V/3	SW 5988 (9x)	SW SK4TEMPESENS-12	SW SK4WLTR2-HEAD	DP13-3008	SP 3385	SP 3100 (3x)	-











**neptronic®**

400 Lebeau blvd, Montreal, Qc, H4N 1R6, Canada

[www.neptronic.com](http://www.neptronic.com)

Toll free in North America: 1-800-361-2308

Tel.: (514) 333-1433

Fax: (514) 333-3163

Customer service fax: (514) 333-1091

Monday to Friday: 8:00am to 5:00pm (Eastern time)